

Table of contents

Introduction	6
Definitions	7
WSPS Regulations	10
1 General Provisions	10
1.1 Scope and application	10
1.2 Interpretation	11
1.3 Governance	11
1.4 Printing of These Rules and Regulations	12
1.5 Amendments to These Rules and Regulations	12
2 Competition Regulations	13
2.1 Events	13
2.2 Competition Levels and Programmes	15
2.3 Competition Management	15
2.4 (“LOC”)	18
2.5 Athlete Eligibility	23
be internationally classified and have been assigned a Sport Class (other than Not Eligible (NE)) in accordance with the WSPS Classification	24
2.6 Qualification requirements	24
2.7 Gender	24
2.8 Anti-Doping	24
2.9 International Classification	25
2.10 Technical Meeting	26
2.11 Start Number	26
2.12 Technical Protests and Appeals	27
2.13 Penalties for Rule Violations	28
2.14 Disqualification	28
2.15 Disciplinary Action	29
2.16 Coaching During Any Event	29

2.17	Results.....	30
2.18	Rankings.....	31
2.19	Records.....	35
WSPS Rules		37
3	Apparel and Equipment Rules	37
3.1	Compliance with ISSF dress code	37
3.2	WSPS-specific dress code provisions (jackets, trousers and footwear).....	37
3.3	Equipment	40
3.4	Equipment Control	40
3.5	Strapping	41
3.6	Trigger extensions and adaptations.....	42
3.7	Shooting Chairs	43
3.8	Shooting Tables.....	48
3.9	SH2 Support stands	51
4	Rifle Rules.....	54
4.1	Events and times	54
4.2	Shooting positions	57
4.3	Loaders (SH2 only) for Qualification Rounds	60
5	Pistol Rules	62
5.1	Events and times	62
5.2	Shooting position.....	64
5.3	Loading device (safety).....	64
6	Shotgun Rules	65
6.1	Events and times	65
6.2	Shooting position.....	65
6.3	Loading device (safety).....	66
6.4	Other.....	67
7	Vision Impaired (VI) Rules	68
7.1	Events and times	68

7.2	Apparel and Equipment.....	70
7.3	Shooting Positions.....	72
7.4	VI Assistant	72
8	Team Event Rules.....	77
8.1	Events and format	77
8.2	Team size.....	77
8.3	Maximum number of teams per NPC	77
8.4	Event viability	77
8.5	Mixed Team	77
9	Medical Rules.....	78
9.1	Return to Field of Play Decisions.....	78
9.2	Epilepsy	78
9.3	Pacemakers	79

Appendix 1	Requirements and designation <u>& Designation of competitions</u> Competitions
Appendix 2	Overview of Level 1 (International <u>Recognised Competition Requirements</u>
Appendix 3	Sanctioned & Approved Competition) requirements <u>Requirements</u>
Appendix 3	Overview of Level 2 (World Cup and Grand Prix) requirements
Appendix 4	Bib templates
Appendix 5	Equipment Control Sheet
Appendix 6	Trigger extensions and adaptations <u>Extensions & Adaptions</u>
Appendix 7	SH2 Support Stand <u>& Springs</u>
Appendix 8	P5 10m Air Pistol Standard
Appendix 9	<u>Falling Target Competitions</u>
Appendix 10	Athlete Epilepsy Declaration
Appendix 1110	VI Shooting Technical Specifications
Appendix 1211	Mixed Team Competitions

Introduction

Preamble

These World Shooting Para Sport ("WSPS") Rules and Regulations are mandatory for all ~~World Shooting Para Sport~~WSPS Recognised Competitions. The overall governance and management of all World Para Sports (including ~~World Shooting Para Sport~~WSPS) is subject to the detailed provisions of the IPC Handbook.

Section 1 and 2 of this document will consist of the WSPS Regulations. Sections 3-9 will consist of the WSPS Rules.

Governance

The IPC acts as the International Federation for the ~~Sportsport~~ of ~~Shooting~~ Para ~~Sportsport~~. It is responsible for, amongst other things, organising international ~~competitions~~Competitions and drawing up rules and regulations relevant to the ~~Sportsport~~ of ~~Shooting~~ Para ~~Sportsport~~, and ensuring that they are followed. IPC carries out its responsibilities as International Federation under the name "World Shooting Para Sport", and the term "World Shooting Para Sport" should therefore be read in these Rules and Regulations as being equivalent to IPC.

~~Effect of ISSF Sport Technical Rules and Regulations~~

~~The latest ISSF Rules shall apply to the Sport of Shooting Para Sport except where they are modified by these World Shooting Para Sport Rules and Regulations. These World Shooting Para Sport Rules and Regulations must to be read in conjunction with the latest ISSF Rules. In the event of any conflict between these Rules and Regulations and the ISSF Rules, these Rules and Regulations shall prevail. The latest ISSF Rules are reinforced and not inserted or restated in these Rules and Regulations.~~

~~Latest version means latest printing edition~~

World Shooting Para Sport Classification Rules and Regulations

The ~~World Shooting Para Sport~~WSPS Classification Rules and Regulations are an integral part of these Rules and Regulations, and are available at: www.paralympic.org/shooting/rules-and-regulations/classification. Terms which are defined in the WSPS Classification Rules and Regulations and appear in these Rules and Regulations shall have the meaning given to them in the WSPS Classification Rules and Regulations, unless otherwise defined in these Rules and Regulations.

www.paralympic.org/shooting/rules-and-regulations/classification

Changes to ~~these~~These Rules and Regulations

Please note that these Rules and Regulations may be changed at any time as a result, for example, of changes in the ISSF Rules, Classification-related matters or where ~~World Shooting Para Sport~~ WSPS otherwise considers it necessary to do so.

Printing of

Definitions

Classification: grouping athletes into Sport Classes (as defined in the IPC Athlete Classification Code) according to how much their Impairment affects fundamental activities in each specific sport or discipline. This is also referred to as “Athlete Classification”.

Classification Panel: a group of Classifiers, appointed by WSPS, to determine Sport Class and Sport Class Status in accordance with the WSPS Classification Rules.

Competition: a series of individual and mixed team events conducted together under one ruling body.

Competition Jury: the person(s) appointed to adjudicate WSPS Competitions.

Eligible Impairment: as defined in the IPC Classification Code.

Equipment Control: the process of checking an athlete’s equipment to ensure it complies with these Rules and Regulations.

Event: a single event that takes place at a Competition, for example the R4 Event.

Finals: the final round Competition that takes place after the qualification round is complete.

Firing Line: the “starting line” that marks the appropriate distance to the target. This is the line that all athletes must be behind when competing.

ID Card: an official picture card that can identify the athlete, such as a passport.

International Classification: Classification that takes place with a WSPS-appointed Classification Panel in accordance with the WSPS Classification Rules and Regulations.

International Federation: a sport federation recognised by the IPC as the sole world-wide representative of a sport for athletes with an Eligible Impairment that has been granted the status as a Para sport by the IPC. The IPC and IOSDs act as an International Federation for certain Para sports.

IOC: the International Olympic Committee.

IOSD: International Organisation of Sport for the Disabled, an independent organisation recognised by the IPC as the sole worldwide representative for a specific Eligible Impairment group to the IPC.

IPC: the International Paralympic Committee.

IPC Games: the Paralympic Games and IPC Regional Games.

IPC Handbook: The IPC Handbook located on the IPC's website at <https://www.paralympic.org/ipc-handbook>

IPC Regional Games: regional games in which the IPC is the organising body, such as the Parapan American Games.

ISSF: the International Shooting Sport Federation.

ISSF Rules: the in-force version of the International Shooting Sport Federation Rules including the ISSF General Regulations, General Technical Rules, Rifle Rules, Pistol Rules, and Shotgun Rules, as amended from time to time.

Loader: a Team Official who will assist athletes with loading during Competitions.

Malfunctions: this includes both allowable and non-allowable malfunctions in Pistol, as defined in the ISSF Rules.

Minimum Qualifying Score ("MQS"): a list of qualification scores, per Event and Sport Class, an athlete must achieve to enter the Competition. MQS scores shall be defined by WSPS for a specific Competition.

National Federation: the national member of an International Federation.

NPC: National Paralympic Committee, the national member of the IPC who is the sole representative of athletes with an Eligible Impairment in that country or territory.

Para sport: a sport governed by the IPC Athlete Classification Code and recognised as a Para sport by the IPC.

Physical Impairment ("PI"): as defined in the WSPS Classification Rules and Regulations.

Programme of Events: the Programme of Events is a list of Events/days in the order they are going to be competed.

Range Official: an official appointed by the LOC with WSPS approval to ensure compliance with these WSPS Rules and Regulations at a Competition.

shooting Para sport: the sport of shooting Para sport governed by WSPS and recognised as a Para sport by the IPC.

Sport Class: as defined in the WSPS Classification Rules and Regulations.

Sport Class Status: as defined in the WSPS Classification Rules and Regulations.

Team Leader: an accredited Team Official who is the main point of contact for their delegation.

Team Official: an accredited team member (non-athlete) who represents their delegation.

Technical Delegate: a Competition Jury member appointed by WSPS to monitor and oversee a WSPS Competition and to ensure all technical operations are conducted in accordance with these Rules and Regulations.

Technical Meeting: a meeting for all teams which takes place before IPC Games, WSPS Championships and WSPS Sanctioned Competitions to disseminate information on technical matters and logistics related to the Competition.

VI Assistant: a Team Official who supports VI athletes during the Competition as determined by these Rules and Regulations.

Vision Impairment (“VI”): as defined in the WSPS Classification Rules and Regulations.

WADA: the World Anti-Doping Agency.

WADC: the World Anti-Doping Code.

WSPS: World Shooting Para Sport.

WSPS Approved Competitions: international and national level Competitions for the sport of shooting Para sport that have been approved by WSPS.

WSPS Championships: Shooting Para Sport World Championships and WSPS Regional Championships.

WSPS License: a license card issued by WSPS in accordance with the WSPS Athlete Registration and Licensing Regulations to enable athletes to compete in IPC Games, WSPS Championships and WSPS Sanctioned Competitions.

WSPS Official: WSPS-certified officials.

WSPS Athlete Registration and Licensing Regulations: The World Shooting Para Sport Athlete Registration and Licensing Regulations, as published on the WSPS website and updated from time to time.

WSPS Nationality Policy: The World Shooting Para Sport Nationality Policy, as published on the WSPS website and updated from time to time.

WSPS Recognised Competitions: IPC Games, WSPS Championships, WSPS Sanctioned Competitions and WSPS Approved Competitions.

WSPS Sanctioned Competitions: Shooting Para Sport World Cups and other shooting Para sport international Competitions as determined by WSPS.

WSPS Regulations

1 General Provisions

1.1 Scope and application

- 1.1.1 These Rules and Regulations comprise the WSPS Regulations (“**Regulations**”) and the WSPS Rules (“**Rules**”), together with the Appendices listed above. The Appendices form an integral part of these Rules and Regulations.
- 1.1.2 These Rules and Regulations are mandatory for all WSPS Recognised Competitions.
- 1.1.3 WSPS will enforce the ISSF General Technical Rules in the areas of Safety, Targets and Target Standards, Ranges and Other Facilities, Gauges and Instruments, Competition Clothing and Equipment, Competition Jury Duties and Functions, Organizing Committee Competition Officials, EST Competition Operations, Competition Procedures, Rules of Conduct for Athletes and Officials, Malfunctions, Scoring and Results Procedures, Tie-Breaking, and Protests and Appeals, unless a WSPS Rule specifies otherwise.
- 1.1.4 WSPS will enforce ISSF Rifle Rules in the areas of Safety, Range and Target Standards, Rifles and Ammunition, and Clothing Regulations, unless a WSPS Rule specifies otherwise.
- 1.1.5 WSPS will enforce ISSF Pistol Rules in the areas of Safety, Range and Target Standards, Equipment and Ammunition, Athletes Shoes, Shooting Accessories, Interruptions and Irregularities, and Malfunctions in 25m Events, unless a WSPS rule specifies otherwise.
- 1.1.6 WSPS will enforce ISSF Shotgun Rules in the areas of Safety, Range and Target Standards, Equipment and Ammunition, Competition Officials, Targets – Regular, Irregular, Broken, Hit, Lost and No Targets, Competition Rules for Trap, Malfunctions, Competition Clothing and Equipment, Results, Timing and Scoring (RTS) Procedures Ties and Shoot-Offs, Rule Violations, and Protests and Appeals, unless a WSPS rule specifies otherwise.
- 1.1.7 When there is a conflict between any ISSF Rule and these Rules and Regulations, these Rules and Regulations will apply. In the event of a dispute relating to ISSF Rules in relation to any aspect of a WSPS Recognised Competition, including as to whether such a conflict exists or whether any ISSF Rule(s) applies, WSPS will make the final decision as to its resolution, acting in its sole discretion.

- 1.1.8 All participants (including, but not limited to, athletes and support personnel, coaches, trainers, managers, interpreters, Team Officials, medical or paramedical personnel) in any WSPS Recognised Competitions agree to be bound by these Rules and Regulations as a condition of such participation.
- 1.1.9 The WSPS Classification Rules and Regulations are an integral part of these Rules and Regulations and are located on the WSPS website.
- 1.1.10 The IPC Handbook is an integral part of the governance of the sport of shooting Para sport.
- 1.1.11 Any matter not addressed in these Rules and Regulations shall be determined by WSPS, in its sole discretion.
- 1.1.12 This version of these Rules and Regulations will be effective from 1 January 2022, and shall prevail over all previous versions of these Rules and Regulations.

1.2 Interpretation

- 1.2.1 Capitalised terms used in these Rules and Regulations have the meaning given to them in the Definitions section above.
- 1.2.2 Any comments annotating various provisions of these Rules and Regulations shall be used to interpret these Rules and Regulations.
- 1.2.3 Headings used in these Rules and Regulations are used for convenience only and have no meaning that is separate from the Regulation(s) or Rule(s) to which they refer.
- 1.2.4 All references to the words “he”, “his” or “him” in these Rules and Regulations also mean the words “she”, “hers” or “her”.

1.3 Governance

- 1.3.1 The IPC acts as the International Federation for and governs the sport of shooting Para sport. It carries out these responsibilities under the name “World Shooting Para Sport” (“WSPS”) and the term “World Shooting Para Sport” (“WSPS”) must be read in these Rules and Regulations as the IPC and vice versa.

1.4 Printing of These Rules and Regulations

1.4.1 These Rules and Regulations are the copyright property of the IPC and have been published for the benefit of NPCs, athletes, ~~officials~~ Team Officials and others who are engaged in an official capacity with ~~World Shooting Para Sport. These Rules and Regulations~~ WSPS. They may be reprinted or translated by any organisation with a legitimate need to do so, subject to IPC’s continuing ability to assert its copyright in ~~the rules and regulations~~ them, including the right to insist on an assignment to the IPC of the copyright in any translated version. Any other organisation must obtain the permission of the IPC prior to reprinting, translating or publishing these Rules and Regulations.

1.4.2 The English version of these Rules and Regulations shall be accepted as the authoritative version for the purpose of interpretation.

Glossary of Acronyms

CRO	Chief Range Officer
IPC	International Paralympic Committee
ISSF	International Shooting Sport Federation
LOC	Local Organizing Committee
MQS	Minimum Qualifying Score
NPC	National Paralympic Committee
RTS	Results, Timing, Scoring
TD	Technical Delegate

~~1~~ General regulations

1.5 Amendments to These Rules and Regulations

1.5.1 These Rules and Regulations may be amended at any time by WSPS for any reason, including, for example, as a result of changes in Classification-related matters, the ISSF Rules, or where WSPS otherwise considers it necessary to do so.

2 Competition Regulations

1.12.1 Events

1.1.12.1.1 The Events ~~recognized by World Shooting~~ recognised by WSPS as Events for the purposes of the sport of shooting Para ~~Sports~~ sport are:

Event	Discipline	Gender	Class
R1	10m Air rifle standing Rifle Standing	Men	SH1
R2	10m Air rifle standing Rifle Standing	Women	SH1
R3	10m Air rifle prone Rifle Prone	Mixed	SH1
R4	10m Air rifle standing Rifle Standing	Mixed	SH2
R5	10m Air rifle prone Rifle Prone	Mixed	SH2
R6	50m Rifle prone Prone	Mixed	SH1
R7	50m Rifle 3 positions Positions	Men	SH1
R8	50m Rifle 3 positions Positions	Women	SH1
R9	50m Rifle prone Prone	Mixed	SH2
FTR1	Falling Targets Rifle	Mixed	SH1
FTR2	Falling Targets Rifle	Mixed	SH2
P1	10m Air pistol Pistol	Men	SH1
P2	10m Air pistol Pistol	Women	SH1
P3	25m Pistol	Mixed	SH1
P4	50m Pistol	Mixed	SH1
*P5	10m Air Pistol Standard	Mixed	SH1
FTP	Falling Targets Pistol	Mixed	SH1
*PT1	Trap Seated	Mixed	SG-S
*PT2	Trap Standing (Lower Limb)	Mixed	SG-L
*PT3	Trap Standing (Upper Limb)	Mixed	SG-U
*VIS	10m Air rifle Rifle VI standing Standing	Mixed	SH-VI
*VIP	10m Air rifle Rifle VI prone Prone	Mixed	SH-VI
*MTR1	Mixed Team 10m Air Rifle Standing SH1	Mixed	SH1

<u>*MRT2</u>	<u>Mixed Team 10m Air Rifle Standing SH2</u>	<u>Mixed</u>	<u>SH2</u>
<u>*MTP</u>	<u>Mixed Team 10m Air Pistol</u>	<u>Mixed</u>	<u>SH1</u>

*Non Paralympic Events

1.22.2 Competition Levels and Programmes

1.2.1 Competition Levels

2.2.1 ~~World Shooting Para Sport~~ WSPS categorises Competitions based on their scale, size, and nature to determine the applicable requirements at each Competition.

1.2.1.1 2.2.2 WSPS Recognised ~~Competition~~ Competitions levels are as follows:

<u>IPC Games</u>	<ul style="list-style-type: none"> ▪ <u>Paralympic Games</u> ▪ <u>Parapan American Games*</u>
<u>Level 3 WSPS Championships</u>	<ul style="list-style-type: none"> ▪ <u>WSPS World Shooting Para Sport Paralympic Games, World Shooting Para Sport Championships</u> ▪ <u>WSPS Regional Championships</u>
<u>Level 2 WSPS Sanctioned Competitions</u>	<ul style="list-style-type: none"> ▪ <u>Sanctioned WSPS World Cups</u> <u>Any other WSPS International Competitions</u> ▪ <u>World Cups, Grand Prix & Regional determined by WSPS (such as Youth Games, IOSD Games, Asian Para Games)</u>
<u>Level 1 WSPS Approved Competitions</u>	<p><u>Approved Competitions</u></p> <ul style="list-style-type: none"> ▪ <u>International competitions approved World Shooting Competitions, also called “Grand Prix”, for the sport of shooting Para Sport sport or National Federation-endorsed Competitions</u> ▪ <u>Any other Competitions for the sport of shooting Para sport as determined by WSPS</u>

*This applies only to the Santiago 2023 Parapan American Games

2.2.3 For ~~full details on~~ an overview of the requirements for each level of ~~competition~~ WSPS Recognised Competition, see the ‘Designation of ~~Competitions~~ Competitions’ (available as Appendix 1 ~~to~~).

2.3 Competition Management

1.2.2 WSPS shall have the right to manage and shall have ultimate jurisdiction over all matters related to WSPS Championships and WSPS Sanctioned Competitions (and may delegate or remove such jurisdiction to the Competition Jury or other officials under **these Rules and Regulations**), or as it sees fit) and shall have the power to postpone Events and give directions consistent with rules adopted for conducting any Event. WSPS shall also have the right to oversee all WSPS Approved Competitions.

1.2.3 **Programme of Events**

2.3.1 ~~The~~ WSPS shall have the right to intercede as necessary in order to resolve any conflicts or issues in any WSPS Recognised Competition, including by requiring an LOC to address any aspect of the Competition or issue in relation to the WSPS Rules and Regulations.

2.3.2 The words ‘World’, ‘Regional’ and ‘World Shooting Para Sport’ may not be used in connection with any shooting Para sport Competition or Event without the prior written consent of WSPS. In addition, the IPC is the owner of all rights of whatever kind or nature in respect of the terms “Paralympics” and “Paralympic”, the term “Para” when associated with sport or any IPC activities, the IPC motto, flag and anthem, the Paralympic Symbol (three Agitos design) and any other trademarks, logos and other indicia used or intended to be used in the context of the Paralympic Movement.

2.3.3 For further details of competition management requirements for WSPS Recognised Competitions, please refer to Appendix 2.

1.2.3.1 ~~For further details of competition programmes recognised by World Shooting Para Sport at the varying competition levels are:~~

Programme	Events included	Accepted at competition level(s)			
		Level 1	Level 2		Level 3
			World Cup	Grand Prix	
Programme 1	All events * R1-R9 * P1-P5	✓	✓	*	✓
Programme 2	10m only * R1-R5 * P1-P2 & P5	✓	*	✓	*
Programme 3	25m & 50m only * R6-R9 * P3-P4	✓	*	✓	*

Programme 4	Para Trap ▪ PT1-PT3	✓	✓	*	✓
Programme 5	VI ▪ VIS-VIP	✓	✓	✓	✓
Falling Target events (added to the programme)	▪ FTR1 ▪ FTR2 ▪ FTP	✓	✓	✓	*

~~1.2.3.2 The programme of events for the Paralympic Games and Regional Games will be confirmed in the Qualification Guide for such competitions.~~

1.3 Competition Cycle

~~1.3.1 The cycle for competitions will be adopted as follows:~~

Competition		Cycle
Level 1	Approved Competitions	Annually, as applicable
Level 2	World Cups	Annually ▪ Maximum 6 competitions per year each; ▪ Priority of sanctioning will be given to World Cup competitions.
	Grand Prix	
	Regional Games	
Level 3	Paralympic Games	Every 4 years
	World Championships (Rifle, Pistol, VI, Para Trap)	Every 2 years
	Regional Championships	Every 2 years

1.4 Hosting competitions

~~1.4.1.2.3.4 For an overview of management requirements and related hosting requirements for Level 1 WSPS Sanctioned and 2 competitions, WSPS Approved Competitions, please refer to Appendices 2 and Appendix 3.~~

~~1.4.2 An overview of the process and minimum requirements for World Shooting Para Sport World Championships plus the full Bid Package documentation, can be found on the World Shooting Para Sport website.~~

Local Organising Committee (LOC)

2.4 A Local Organising Committee (“LOC”)

~~1.4.2.1~~ ~~2.4.1~~ An LOC is the organisation responsible ~~to manage a competition for~~ ~~organising and hosting a Competition.~~

~~1.4.2.2~~ ~~2.4.2~~ ~~The~~ For WSPS Recognised Competitions (excluding IPC Games), the LOC must be endorsed by and shall have its structure subject to approval by ~~World Shooting Para Sport.~~ ~~WSPS.~~

~~1.4.2.3~~ ~~2.4.3~~ The LOC, in conjunction with ~~World Shooting Para Sport~~ ~~WSPS~~, shall be responsible for the entire management of the ~~competition~~ ~~Competition~~, including the arrangement of the ~~programme~~ ~~Programme~~ of ~~events~~ ~~Events~~, arrangement for the Classification of athletes, all technical equipment and installation prior to and during ~~competition.~~ ~~Competition.~~

1.4.3 Applications

~~1.4.3.1~~ ~~Competition Hosting Expression of Interest Application Forms (Level 1 & 2 competitions) and Bid Package (Level 3 competitions) can be found on the World Shooting Para Sport website.~~

~~1.4.3.2~~ ~~To apply to host a Recognised Competition, the LOC must submit the relevant application form by the applicable deadline:~~

Recognised Competition		Deadline for application submission (months prior to proposed competition date)	
		Expression of Interest	Application/Bid
Level 1	Approved Competition	8 months	6 months
Level 2	World Cup & Grand Prix	18 months	12 months
Level 3	World Championship	30 months	24 months

~~1.4.3.3~~ ~~All applications will be reviewed at the discretion of World Shooting Para Sport.~~

~~(a) World Shooting Para Sport will confirm to the applicant in writing the result of the application.~~

~~(b) If an application is successful, the LOC must agree to the terms and conditions of a Hosting Agreement,~~

~~1.4.4 — Competition management~~

~~1.4.4.1 — World Shooting Para Sport shall have the right to manage World Championships and Level 2 competitions.~~

~~1.4.4.2 — World Shooting Para Sport shall govern and enforce these Rules and Regulations for all Recognised Competitions.~~

~~1.4.4.3 — World Shooting Para Sport shall have jurisdiction over all matters (not including those matters assigned to judges or other officials under the ISSF Rules and these Rules and Regulations) and shall have the power to postpone events and give directions consistent with rules adopted for conducting any event.~~

~~1.5 — Competition Entries~~

~~1.5.1 — All athletes must be entered by their respective NPCs or authorised organisations by the NPC and accepted by World Shooting Para Sport to participate in any Recognised Competition.~~

~~1.5.2 — All entries from NPCs must be received by the deadlines as set out in the Competition Information Package. Close of entries is midnight CET on the date given.~~

~~1.5.2.1 — **First Entry by Number** (Level 2 and 3 competitions) must include:~~

- ~~(a) Total number of athletes and team officials participating; and~~
- ~~(b) Number of individual and team event entries the NPC will submit.~~

~~1.5.2.2 — **Final Entry by Name** must include:~~

- ~~(a) Full details of all athletes entered to compete in the competition;~~
- ~~(b) Confirmation of all individual and team event entries, with names of all athletes;~~
- ~~(c) Confirmation (name and details) of all team officials participating at the competition; and~~
- ~~(d) All competition booking details (as applicable) including accommodation, transport and firearms information.~~

~~1.5.3 — The entry criteria shall be defined in the Competition Information Package and/or Qualification Documentation for each competition.~~

~~1.5.4 — An event will only be considered viable if the minimum viability criteria (as specified in **Appendix 1**) is met by the time of the technical meeting and reflected as such on the start list.~~

~~1.5.4.1 — World Shooting Para Sport reserves the right to cancel in advance any events which are not viable by the first entry by number deadline and will inform the LOC and NPCs in a timely manner.~~

~~1.5.5 — **Maximum number of entries**~~

~~1.5.5.1 — At each competition, the maximum number of starts per event will be calculated; this calculation is based upon range capacity and the competition schedule.~~

~~1.5.5.2 — The entries accepted at Recognised Competitions can be defined as:~~

~~(a) ‘Full’ participants are athletes eligible to progress to the final, and to obtain records and ranking; and~~

~~(b) ‘MQS only’ participants are athletes eligible to obtain qualification scores to be recognised for MQS, but cannot progress to the event final or obtain direct quota allocation, records or rankings.~~

~~1.5.5.3 — The limit of maximum number of entries per NPC per competition type can be summarised as follows:~~

Competition		Maximum number of entries	
		‘Full’ participants	‘MQS only’ participants
Level 1	Approved competition	Unlimited	Not Applicable
Level 2	World Cup & Grand Prix	4 per NPC per event	Unlimited (pending capacity)
	Regional Games	Defined in Qualification Criteria	Not Applicable
Level 3	World Championship	4 per NPC per event	Defined in Qualification Criteria
	Paralympic Games	Defined in Qualification Criteria	Not Applicable

~~1.5.5.4 — When entering more than four athletes to an event via the Online Entry System, the NPC must contact World Shooting Para Sport after submitting the online entries, confirming which athletes are to be entered as “Full” entry and which as “MQS only”.~~

~~1.5.5.5 — If the maximum number of starts is reached the number of ‘MQS only’ entries may be limited; in such cases, affected NPCs will be notified by World Shooting Para Sport immediately, and a ‘waiting list’ may be established. Consequently, in case of subsequent entry cancellations, entries from the waiting list will be accepted on a first-come-first-served basis.~~

~~1.5.6 — Entry Fees~~

~~1.5.6.1 — Basic Entry Fee~~

~~(a) A Basic Entry Fee shall be charged by the LOC to all participating athletes and team officials.~~

~~(b) The Basic Entry Fee is calculated by the LOC according to the approximate price per person for services during the relevant competition.~~

~~1.5.6.2 — Event Entry Fee (World Cup and Grand Prix competitions only)~~

~~(a) In addition to the Basic Entry Fee, World Shooting Para Sport shall charge a fixed-price Event Entry Fee to Athletes and Teams participating in Level 2 competitions.~~

~~(b) The Event Entry Fee shall be charged as follows:~~

- ~~▪ Individual events: EUR 10 per athlete entry per individual event;~~
- ~~▪ Team events: EUR 20 per team entry per team event.~~

~~1.5.6.3 — The Basic Entry Fee and Event Entry Fee will be collected by the LOC by the deadline given in the Competition Information Package.~~

~~1.5.6.4 — The LOC shall transfer the Event Entry Fees to IPC no later than 30 days after the competition.~~

~~1.5.7~~ ~~Late Entries~~

~~1.5.7.1~~ ~~Late entry requests (submitted after the final entry by name deadline) will only be considered if they are received by World Shooting Para Sport no later than three days before the official arrival day of the relevant competition (in accordance with the ISSF Rules).~~

~~1.5.7.2~~ ~~Late entry requests may be accepted at the discretion of the LOC and World Shooting Para Sport if it is deemed that such late entries can be accommodated (i.e. within the competition schedule, sufficient time for processing firearms permits); a late entry fee of EUR 50 will be charged and retained by the LOC per additional start.~~

~~1.5.8~~ ~~Entry changes~~

~~1.5.8.1~~ ~~Replacement entries may be accepted in the same event, due only to injury or medical reason, at the sole discretion of World Shooting Para Sport, in consultation with the LOC. NPCs requesting replacement entries must submit supporting documents to World Shooting Para Sport for approval.~~

~~1.5.8.2~~ ~~Substitution of an athlete (in a team event only) by another athlete, who is already registered in that individual event, can be made not later than 30 minutes before the scheduled start time for that event (in accordance with the ISSF Rules) provided the substitution does not contravene any provision of the ISSF Rules (for example: that if more than one relay is used in team competitions, then team members must be distributed equitably between the relays; and that start lists with firing point and relay allocations must be published and distributed not later than 16:00hrs on the day before pre-event training for any event).~~

~~1.5.9~~ ~~Cancellations~~

~~1.5.9.1~~ ~~The cancellation dates and policies for each competition will be clearly published in each Competition Information Package and must be adhered to.~~

~~1.5.9.2~~ ~~Any teams cancelling any bookings or participants after the final cancellation deadline will be liable for all costs incurred.~~

1.5.10.5 Athlete Eligibility

~~1.5.10.1 To be eligible to compete at Recognised Competitions, all athletes must:~~

2.5.1 Adhere to the Eligibility requirements – IPC Games

The IPC determines the eligibility requirements for IPC Games.

2.5.2 Eligibility requirements – WSPS Championships and WSPS Sanctioned Competitions

To meet the eligibility requirements to participate in WSPS Championships and WSPS Sanctioned Competitions an athlete must:

- ~~(a)2.5.2.1~~ satisfy the requirements of the WSPS Nationality Policy (see IPC Handbookthis will be available in 2022);
- ~~(b)2.5.2.2~~ Be licensed byhave a WSPS License issued in accordance with the IPCWSPS Athlete Registration and Licensing Regulations by the time of the final entry deadline;
- ~~(c)2.5.2.3~~ Havebe in possession of a valid World Shooting Para Sport ID cardCard and license-cardWSPS License Card (to be carried at all times during competitions); andCompetitions);
- 2.5.2.4 Meet be entered by their NPC (or National Federation if such responsibility has been delegated by the NPC), in either case the NPC being a member in good standing of the IPC;
- ~~(d)2.5.2.5~~ meet the relevant competitionCompetition eligibility criteria, as defined in the Competition Information Package and/or Qualification Guide-;

1.5.11 Minimum Qualifying Scores

~~1.5.11.1 All athletes will be required to reach set MQS to be eligible to compete in Level 3 Competitions and Regional Games. The MQS will be defined by World Shooting Para Sport for these events and published in the relevant Qualification Documentation for each competition.~~

~~1.5.11.2 There are no required MQS for competing in World Shooting Para Sport World Cup, Grand Prix or Approved Competitions.~~

1.6 International be internationally classified and have been assigned a Sport Class (other than Not Eligible (NE)) in accordance with the WSPS Classification

~~1.6.1~~~~2.5.2.6~~ International Classification will be conducted prior to the start of a competition Rules and Regulations, or in the case of 'New' athletes, have been determined by WSPS to have an Eligible Impairment in accordance with the ~~World Shooting Para Sport~~WSPS Classification Rules and Regulations; and

~~2.5.2.7~~ not be disqualified, suspended or otherwise sanctioned.

2.5.3 Eligibility requirements – WSPS Approved Competitions

In order to compete in WSPS Approved Competitions an athlete must meet the eligibility requirements determined by the relevant LOC or governing body.

2.6 Qualification requirements

2.6.1 In addition to the eligibility requirements listed above, in order to compete in WSPS Recognised Competitions an athlete must also meet the qualification standards, qualification criteria and any sport entry rules applicable to the relevant Competition.

2.7 Gender

2.7.1 Subject to Regulation **2.7.3** below, an athlete shall be eligible to compete in men's Competition if he is:

2.7.1.1 recognised as male in law; and

2.7.1.2 eligible to compete under these Rules and Regulations.

2.7.2 Subject to Regulation **2.7.3** below, an athlete shall be eligible to compete in women's Competition if she is:

2.7.2.1 recognised as female in law; and

2.7.2.2 eligible to compete under these Rules and Regulations.

2.7.3 WSPS will deal with any cases involving transgender athletes in accordance with the IOC's transgender guidelines (as amended by the IOC from time to time) and any applicable WSPS regulations.

2.7.4 The eligibility of persons recognised as third gender in law will be determined by the WSPS on a case-by-case basis, in accordance with any applicable WSPS regulations.

2.8 Anti-Doping

2.8.1 The IPC Anti-Doping Code (located on the IPC website) applies to all IPC Games, WSPS Championships and WSPS Sanctioned Competitions.

2.8.2 WSPS Approved Competitions must be conducted in accordance with the anti-doping rules of the relevant governing body and the WADC International Standards. WSPS strongly recommends that Doping Control take place at all WSPS Approved Competitions.

2.9 International Classification

2.9.1 International Classification may be conducted in connection with a WSPS Recognised Competition. Classification must always take place in accordance with the WSPS Classification Rules and Regulations.

~~1.6.22.9.2~~ Prior to the ~~competition~~ Competition a list and timetable for those athletes required to be present for Classification will be created by WSPS. Athletes and NPCs will be informed accordingly of their appointment time by ~~World Shooting Para Sport in the pre-competition meetings.~~ WSPS.

~~1.7~~ Pre-Competition Meetings

2.9.3 In accordance with the WSPS Classification Rules and Regulations, all athletes with Sport Class Status ‘New’, ‘Review’ or ‘Review’ with a ‘Fixed Review Date’ in the Competition calendar year must attend an Athlete Evaluation Session before competing at any WSPS Recognised Competition, if an Athlete Evaluation Session is available for them at that Competition.

2.9.4 Subject to the terms of Regulations ~~2.5~~ and ~~2.9.3~~ above, and unless specified otherwise in the Competition entry requirements, at any WSPS Recognised Competition:

2.9.4.1 in accordance with Article 15.3 of the WSPS Classification Rules and Regulations, athletes with Sport Class Status ‘New’ may compete but their results will not be recognised, and they will not be eligible to win medals at that Competition. WSPS may retroactively recognise the athlete’s results for MQS purposes only, acting in its sole discretion, in the event that a ‘New’ athlete is subsequently allocated the same Sport Class in which they competed as ‘New’ athlete; and

2.9.4.2 in accordance with Article 15.5.2 of the WSPS Classification Rules and Regulations, athletes who have Sport Class Status 'Review' or 'Review' with a 'Fixed Review Date' in the Competition calendar year may compete, win medals and have their results recognised in that Competition.

1.7.12.10 Technical Meeting

1.7.1.12.10.1 ~~Before~~ Unless otherwise specified by WSPS, before the start of each ~~competition~~ WSPS Recognised Competition the LOC, together with the Technical Delegate, must ~~be~~organise a ~~technical meeting~~ Technical Meeting with representatives of the participating countries and the LOC, supervised by the Technical Delegate ~~or Chief Judge~~.

1.7.1.2 ~~There must be no less than 2 hours between the completion of the Classification process and the start of the technical meeting.~~

1.7.2 ~~Team Leaders' Meeting~~

1.7.2.1 ~~Directly after the technical meeting a team leaders' meeting may be held.~~

2.10.1.1 ~~The team leaders' meeting~~ Technical Delegate is an informal meeting between World Shooting Para Sport and the team leaders/coaches to discuss any general ~~responsible for overseeing all~~ technical matters ~~(at the Competition in accordance with these Rules and Regulations.~~

1.7.2.22.10.1.2 ~~Whenever possible, the Technical Delegate will communicate any specific advice or requirements related not specifically to the competition), and to address any questions. to technical matters for the Competition at the Technical Meeting.~~

1.8.2.11 Start Number

1.8.12.11.1 ~~A start number must be assigned to each athlete and appear on all competition~~ Competition lists and timetables.

1.8.22.11.2 ~~The athlete start numbers are printed on the~~ bibs, which are produced by ~~World Shooting Para Sport~~ WSPS and printed and distributed by the LOC.

2.11.3 SH2 athletes who are permitted to use a ~~(Loader(s))~~ (denoted by '(L)' on the athlete bib) will also be issued a ~~loader~~ Loader bib.

1.8.32.11.4 ~~VI Assistants will be assigned a VI Assistant bib (denoted by '(A)' on the athlete bib).~~

1.8.42.11.5 The bib size and design must be as shown in **Appendix 4**.

1.8.52.11.6 The bib must be visible at all times when the athlete (and/or Loaders/VI Assistant) is on the field of play.

1.8.5.12.11.6.1 Athletes with **backrest score A**: the bib must be worn on the back of the athlete ~~(unless the shooting chair used has a back, in which case bib must be displayed on the back of the chair);~~

1.8.5.22.11.6.2 Athletes with **backrest score B or C**: the bib must be displayed on the back of the ~~shooting chair~~ **Shooting Chair** (as the bib cannot obscure the view of the free sitting height marking tape).

1.8.5.32.11.6.3 **Loaders and VI Assistants**: must wear the bib on their back. The bib must be properly fixed/pinned (so as not to move around) at the top and bottom to the shirt above the waistline during the entire ~~competition~~ **Competition**.

1.8.62.11.7 In the case that the bib is issued to an athlete (and/or Loaders/VI Assistants) but not displayed, the athlete may not commence/continue to shoot in the ~~event~~ **Event**.

1.92.12 **Technical Protests and Appeals**

1.9.12.12.1 Any violation by an athlete, Team Official, team member or any other individual of ~~the technical rules in~~ these Rules and Regulations (as determined by WSPS) will be ~~handled~~ **resolved** in accordance with the procedures set out in these Rules and Regulations and the ISSF Rules.

1.9.22.12.2 All protests and appeals, regarding technical matters ~~must~~ **will** be ~~handled~~ **resolved** in accordance with the procedures described in the ISSF Rules using World Shooting Para Sport official, following these Rules and Regulations, documentation and forms (available on ~~World Shooting Para Sport~~ the WSPS website).

1.9.32.12.3 All protests and appeals, regarding Classification matters ~~must~~ **will** be handled in accordance with the ~~World Shooting Para Sport~~ WSPS Classification Rules and Regulations.

2.12.4 The fee for a technical protest or appeal is to be determined in accordance with ISSF Rules, unless otherwise specified by WSPS.

1.9.42.12.5 If a technical protest or appeal is denied the protest or appeal fee will be retained by ~~World Shooting Para Sport~~WSPS.

2.13 Penalties for Rule Violations

2.13.1 The Competition Jury must decide Rules violations by athletes at Competitions in accordance with the following procedures:

2.13.1.1 In the case of an open violation of the Rules (i.e. where no attempt is made by the athlete or other member of their team to conceal the violation), a warning ('Yellow Card') must first be given so the athlete may have an opportunity to correct the fault. Whenever possible, the warning should be given during training or the preparation and sighting time. If the athlete does not correct the fault as instructed by the Competition Jury, two (2) points must be deducted from their score ('Green Card'). If the athlete still does not correct the fault after receiving a deduction ('Green Card'), then disqualification ('Red Card') ('DSQ') must be imposed.

2.13.1.2 In the case of a concealed violation of the Rules, (i.e. where an attempt is made by an athlete or member of their team to conceal the violation) disqualification ('Red Card') ('DSQ') must be imposed.

1.102.14 Disqualification

1.10.12.14.1 ~~An~~In addition to any specific provisions of these Rules and Regulations providing for disqualification, an athlete, ~~team official~~Team Official, team member or any other individual may have their accreditation withdrawn and/or be penaliseddisqualified from any Event(s) or Competition(s) by ~~World Shooting Para Sport,~~WSPS, if, in the reasonable opinion of ~~World Shooting Para Sport~~WSPS, they:

1.10.1.12.14.1.1 ~~Contravene~~contravene the spirit of fair-play or ~~offend~~obstruct members of any committee, ~~officials or judges~~WSPS Officials or the Competition Jury in ~~the course of~~ his/her official duties; ~~or~~

2.14.1.2 ~~Behave~~behave in a manner which ~~brings~~may actually or potentially bring into disrepute ~~World Shooting Para Sport~~WSPS, the IPC, any International Federation and/or the ~~organisers~~LOC; ~~or~~

~~1.10.1.22.14.1.3~~ breach any protocol or procedure put in place by an LOC and/or WSPS for an Event or Competition (for example in relation to the health, safety or security of a competition athletes, including any protocol put in place in relation to the coronavirus pandemic).

2.15 Situations Disciplinary Action

~~1.10.22.15.1~~ Further disciplinary action, including in relation to situations that are not covered by these Rules and Regulations or the ISSF Rules will, may be addressed taken against any individual bound by these Rules and Regulations on a “case-by-case” basis by the World Shooting Para Sport WSPS Technical Delegate. The outcome will be reported to World Shooting Para Sport and further actions, in consultation with WSPS. Further action(s) may be taken at World Shooting Para Sport’s WSPS’ discretion.

~~1.10.2.1~~ In situations when there is no World Shooting Para Sport Technical Delegate available during the competition, the Chief Judge in partnership with the Chief Classifier (if in attendance) will fulfil the task of the Technical Delegate in consultation with the IPC and, where possible, the LOC.

1.11 Coaches’ instruction

2.16 Coaching During competition, Any Event

2.16.1 Verbal Coaching

~~2.16.1.1~~ Verbal coaching during training and preparation time is permitted, but such coaching must not disturb other athletes.

~~1.11.12.16.1.2~~ During training and preparation time coaches are permitted to approach the starting line at the request of the Firing Line to verbally coach their athlete, if allowed by the range official(s) (unless prohibited by a member of the Competition Jury).

~~1.11.1.12.16.1.3~~ Only during training and preparation time are During Competition, coaches are permitted to approach the line at their own request (if permitted by the range official). Firing Line only following a specific request by their athlete(s) or a VI Assistant and a member of the Competition Jury permits this request.

2.16.1.4 Subject to 2.16.1.3, while on the Firing Line during Competition, all athletes may speak only with a member of the Competition Jury or a Range Official (except SH2 athletes who may speak with their Loader as required).

2.16.1.5 In R7/R8 Finals, verbal coaching is allowed only during changeover times.

2.16.2 **Non-Verbal Coaching**

2.16.2.1 In all Events, non-verbal coaching is permitted, but such coaching must not disturb other athletes.

2.16.3 **Violation of Coaching Regulation**

2.16.3.1 If a Team Official or athlete violates any provision of this Regulation 2.16 during any Event, a warning must be issued for a first offence in that Event. For each further violation in that Event, two (2) points must be deducted from the athlete's score and the Team Official must leave the vicinity of the Firing Line.

1.12.17 **Results**

1.12.12.17.1 ~~Scoring~~ Unless specified otherwise in these Rules and Regulations, scoring procedures for all ~~World Shooting Para Sport events~~ WSPS Recognised Competitions must be followed as described in the ISSF Rules.

~~1.12.2~~ If the World Shooting Para Sport Official Results and Target System Provider is not supporting the competition:

~~1.12.2.1~~ it is the responsibility of the LOC to provide the competition results to World Shooting Para Sport by no later than 7 days of the end of the competition; and

~~1.12.2.2~~ The official World Shooting Para Sport electronic result template (Excel format) must be used.

~~1.12.2.3~~ **Result Book**

~~1.12.2.4~~ The result book must be coordinated by the Technical Delegate, Results, Timing, and Scoring (RTS) Jury, World Shooting Para Sport and the LOC.

~~1.12.2.5~~ The World Shooting Para Sport official template must be used.

1.12.2.62.17.1.1 The result book must be published by World Shooting Para Sport within 2 days of the end of competition.

1.13.2.18 Rankings

1.13.12.18.1 ~~World Shooting Para Sport~~ WSPS shall maintain world and regional rankings to determine the best performing athletes per ~~event~~ Event per season, based on a ~~point~~ points system, by considering both the rank and the result achieved by the athletes.

2.18.2 ~~1.13.1.2~~ Rankings ~~will~~ shall be calculated on a rolling basis. ~~All World Shooting Para Sport competitions will count in the rankings for 1 year. Paralympic Games and World Championships will remain in the rankings for 2 years.~~ The rolling ranking will ~~include~~ all ~~competitions~~ WSPS Recognised Competitions from ~~1~~ one year ago to the day. (Example: on 15 April ~~2017~~, ~~scores 2023~~, ~~rankings~~ will include ~~competitions~~ all results achieved in WSPS Recognised Competitions from 15 April ~~2016-2022~~ - 15 April ~~2017~~ 2023).

1.13.22.18.3 Only athletes who ~~are licensed~~ have a WSPS License and have a Sport Class Status 'Review', 'Review' with a 'Fixed Review Date' or 'Confirmed' can have their results recognised for ranking purposes.

1.13.32.18.4 Performance Points

1.13.3.12.18.4.1 After each ~~Level 2~~ WSPS Championships and ~~3~~ competition WSPS Sanctioned Competition, athletes will obtain performance points based on their performance.

1.13.3.22.18.4.2 Athletes will be ranked in descending order according to their performance points.

~~1.13.3.3~~ ~~Performance points will only be allocated to athletes who rank 1 to 8 in the competition.~~

2.18.4.3 Athletes will receive ranking points depending on their performance as outlined below.

1.13.3.42.18.4.4 Performance points will be allocated following the ratification of the ~~competition~~ Competition results, and are calculated based on the following values:

~~(a)~~ a Value A (rank points) - based on the rank achieved in the qualification and final rounds;

~~(b)~~ b Value B (~~competition~~ Competition weighting) - based on the level and significance of the ~~competition~~ Competition.

~~(c)~~ Value C (qualification result points) - based on the qualification score achieved by the athlete, divided by the world record (as of ~~01~~ January of the ~~competition~~ Competition year) in that ~~event~~ Event.

~~1.13.3.52.18.4.5~~ The total performance points will be calculated and published to ~~2~~ two decimal places (mathematically rounded).

~~1.13.42.18.5~~ Duration of validity

~~1.13.4.1~~ The time for which the allocated performance points remain valid will vary according to the level and significance of the ~~competition~~ WSPS Recognised Competition:

Competition	Code	Duration of validity (seasons)
Paralympic Games	PG	2
<u>WSPS</u> World Championships	WCH	2
Regional Games/ <u>Championships</u> (<i>only valid for Regional Rankings</i>)	RG	1
<u>WSPS</u> World Cup Cups/Sanctioned Competitions	WC	1
Grand Prix	GP	1

[1.13.4.12.18.5.1](#) Points obtained at the Paralympic Games and World Championships will remain valid in the ranking system for ~~2~~two years from the date of ~~competition~~Competition.

[1.13.4.22.18.5.2](#) Performance points obtained at all other ~~Level 2~~WSPS Sanctioned Competitions and ~~3 competitions~~IPC Regional Games will be valid in the ranking system for one year.

[1.13.52.18.6](#) Value A (Rank Points)

[1.13.5.12.18.6.1](#) The Value 'A' allocated will be determined by the rank an athlete achieves, both in the qualification and final rounds.

[1.13.5.22.18.6.2](#) A point value is allocated based on the rank in the Qualification Rounds (value A1) and Final Round (value A2):

Rank	Qualification Round Points (A1)	Final Round Points (A2)
1st rank	11	50
2nd rank	10	40
3rd rank	9	30
4th rank	8	20
5th rank	7	18
6th rank	6	16
7th rank	5	14
8th rank	4	12
9th <u>+ rank</u>	1 <u>1</u>	0 <u>0</u>

[1.13.5.32.18.6.3](#) Value A is calculated as a sum of the points for the qualification and final ranking (values A1 + A2).

$$\begin{array}{rcl} \text{Qualification Rank Points} & + & \text{Final Rank Points} \\ \text{(A1)} & & \text{(A2)} & = & \text{Value A} \end{array}$$

[1.13.5.42.18.6.4](#) For non-Paralympic ~~events~~Events where no ~~finals~~Finals are conducted, in the ranking calculations a value of zero will be assigned for the Final Rank Points (value A2).

[1.13.5.52.18.6.5](#) ~~In the event that~~If an athlete ranks 1-8 in qualification but is DNS (~~("Did Not Start")~~) in the final, in the ranking calculations a value of zero will be assigned for the Final Rank Points (value A2).

[1.13.62.18.7](#) Value B (~~competition~~Competition weighting)

[1.13.6.12.18.7.1](#) The Value B allocated will vary according to the level and significance of the ~~competition~~Competition:

Competition	Code	Value B
Paralympic Games	PG	10
World Championships	WCH	8
Regional Games/ <u>Championships</u> (<i>only valid for Regional Rankings</i>)	RG	6
World Cup	WC	6
<u>Grand Prix</u>	<u>GP</u>	<u>4</u>

[1.13.72.18.8](#) Value C (qualification result points)

[1.13.7.12.18.8.1](#) The Value C allocated is the Qualification Score achieved by the athlete, divided by the World Record in that ~~event~~Event (as of 01 January of the ~~competition~~Competition year).

[1.13.7.22.18.8.2](#) For both World and Regional Rankings, the World Record will be used.

$$\frac{\text{Qualification Score}}{\text{World Record}} = \text{Value C}$$

[1.13.82.18.9](#) Calculation

[1.13.8.12.18.9.1](#) Performance points per ~~competition~~Competition are calculated by multiplying together Values A, B and C.

Value A (Rank points)	x	Value B (Competition weighting)	x	Value C (Qualification result points)	=	Performance Points
---------------------------------	---	---	---	---	---	---------------------------

1.14.2.19 Records

~~1.14.12.19.1~~ World, regional and junior records may be established in ~~World Shooting Para Sport events~~ **WSPS Events R1-R9, P1-P5, MTR, MTP, PT1-PT3, VIS, and P1-P5VIP.**

~~1.14.22.19.2~~ ~~IPC Paralympic Games and Regional Games~~ records may be established only at the Paralympic/Regional Games in the relevant ~~events~~ **Events.**

~~1.14.32.19.3~~ Only scores obtained at ~~Level 2 WSPS Championships~~ or ~~3 competitions~~ **WSPS Sanctioned Competitions** will be eligible for records recognition.

~~1.14.42.19.4~~ The Technical Delegate must submit the record report form at the end of the ~~competition~~ **Competition** in order for records to be ratified and recognised.

1.14.52.19.5 Junior records

~~1.14.5.12.19.5.1~~ Junior records will be recognised at world record level only.

~~1.14.5.22.19.5.2~~ To be eligible to obtain junior records, athletes must be under the age of 21 on 31 December of the year of the relevant ~~competition~~ **Competition.**

1.14.62.19.6 Records definitions

~~1.14.6.12.19.6.1~~ The obtainable ~~World Shooting Para Sport WSPS~~ records ~~can be described~~ are as follows:

Record	Type	Code	Description
World Record	New	WR	a) Paralympic events Events : record to be established in the final of the relevant event Event using the finals Finals result only; b) Non-Paralympic events Events : record to be established in the qualification round of the relevant event Event using the qualification result only.
	Equal	EWR	
Junior World Record	New	WRJ	
	Equal	EWRJ	
Regional Record	New	[Region]	
	Equal	E[Region]	
Qualification Record	New	QR	c) Paralympic events Events : record to be established in the qualification round of the relevant event Event using the qualification result only;
	Equal	EQR	
Junior Qualification Record	New	QRJ	
	Equal	EQRJ	
	New	Q[Region]	

Regional Qualification Record	Equal	EQ[Region]	d) Non-Paralympic events: Events: there will be no qualification record established in non-Paralympic events Events.
Team Record	New	TRWR	e) Team records will be established in team events Events using the combined qualification scores of the 3 nominated team members.
	Equal	ETREW R	
<u>Team Regional Record</u>	New	<u>[Region]</u>	
	Equal	<u>E[Region]</u>	
Paralympic Record	New	PR	f) Paralympic records will be established in the Paralympic Games Final of the relevant event Event using the finals Finals result only.
	Equal	EPR	
Paralympic Qualification Record	New	PQR	g) Paralympic qualification records will be established in the Paralympic Games qualification round of the relevant event using the qualification result only.
	Equal	EPQR	
Regional Games Record	New	GR	h) Games records will be established in the relevant Regional Games final of the relevant event Event using the finals Finals result only.
	Equal	EGR	
Regional Games Qualification Record	New	GQR	i) Games qualification records will be established in the relevant Regional Games qualification round of the relevant event Event using the qualification result only.
	Equal	EGQR	

WSPS Rules

23 Apparel and Equipment Rules

2.13.1 Compliance with ISSF ~~Dress Code~~ dress code

2.1.13.1.1 All persons on the field of play and ceremonies area must adhere to the ISSF dress code.

2.1.23.1.2 Athletes must also comply with the ~~World Shooting Para Sport Specific Dress Code~~ WSPS-specific dress code provisions as set out in Rule 2.23.2 below.

3.2 ~~World WSPS-specific dress code provisions (jackets, trousers and footwear)~~

2.23.2.1 Shooting ~~Para Sport Specific Dress Code Provisions (Jackets, Trousers & Footwear) ("WSPS Jacket")~~

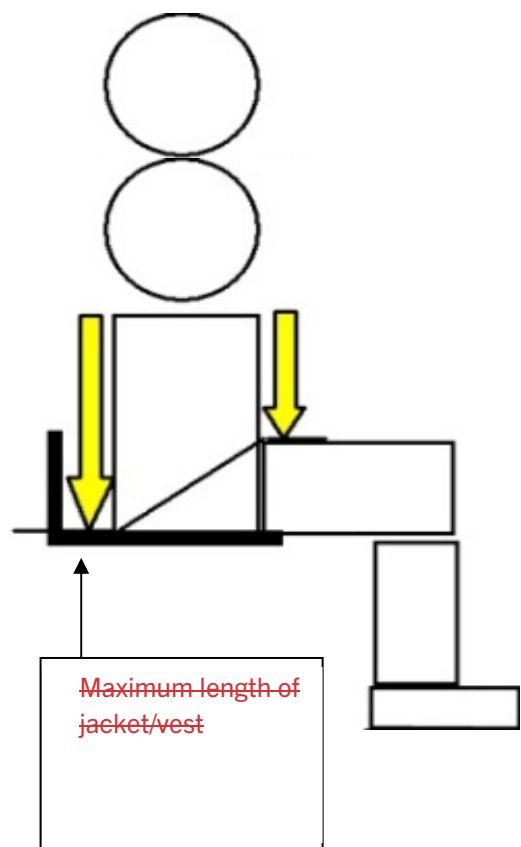
2.2.1 Shooting Jackets

2.2.1.13.2.1.1 The maximum length of the shooting jacket may not be longer than down to the lap in front and down to the top of the cushion in back.

2.2.1.23.2.1.2 The length of the jacket will be measured in standing shooting position.

2.2.1.33.2.1.3 The athlete must not sit on any part of their shooting jacket during ~~competition~~ Competition.

2.2.1.4 SH1B, SH1C and SH2 rifle athletes must use a ~~World Shooting Para Sport jacket~~ WSPS Jacket. Athletes shooting on the floor in the prone position may use an ISSF jacket.



~~2.2.1.5~~ All SH1A rifle athletes may use ~~an~~ ISSF jacket

~~3.2.1.4~~ ~~in~~ accordance with the ISSF Rules, in the following circumstances:

Position	Style	Regulation
Kneeling	Shooting as per ISSF position	Permitted: Jacket usage as per ISSF Rules
	Shooting from a shooting chair <u>Shooting Chair</u>	Permitted: Only the top 3 jacket buttons may be fastened, and the buttons may not extend below the bottom of the ribcage or equivalent. Any additional buttons must not be used.
Prone	Shooting as per ISSF position	Permitted: Jacket usage as per ISSF Rules
	Shooting from a shooting chair <u>Shooting Chair</u>	Permitted: Only the top 3 jacket buttons may be fastened, and the buttons may not extend below the bottom of the ribcage or equivalent. Any additional buttons must not be used.
Standing	Shooting from a high stool or free-standing	Permitted: Jacket usage as per ISSF Rules
	Shooting from a shooting chair <u>Shooting Chair</u>	ISSF jacket not permitted

~~2.2.1.6~~ ~~3.2.1.5~~ A maximum of 1 ~~World Shooting Para Sport jacket~~ WSPS Jacket and 1 ISSF jacket per athlete must be approved by ~~equipment control~~ Equipment Control in each ~~competition~~ Competition.

~~2.2.1.7~~ ~~3.2.1.6~~ Jackets without buttons

~~(a)~~ Even if the jacket has no buttons, the jacket must be shaped in accordance with ~~World Shooting Para Sport Rules 2.2.1.1 and 2.2.1.2~~ Rules 1.1.1 and 3.2.1.2 above.

~~(b) In case a jacket has a zipper instead of buttons the overlap will be visually checked by the Jury.~~

2.2.23.2.2 Shooting Trousers

2.2.2.13.2.2.1 Shooting Trousers are prohibited for SH1B, SH1C and all SH2 athletes.

2.2.2.23.2.2.2 Shooting trousers are permitted for SH1A athletes shooting in the standing position from a high stool or free-standing position or in the kneeling position as per the ISSF position set out in the ISSF Rules.

2.2.2.33.2.2.3 Athletes with lower limb prosthesis/prostheses are permitted to keep their shooting trousers on in the kneeling (from a ~~shooting chair~~Shooting Chair) and prone position, only if:

~~(a)a) Theythey~~ are unable to remove their trousers ~~without removing their~~due to a prosthesis; and

~~(b)b) Thethe~~ leg zippers and waistband of the trousers are open when in position.

2.2.33.2.3 Footwear

2.2.3.13.2.3.1 Footwear must be worn by all persons on the field of play unless prescribed otherwise on their classification card.

2.2.3.23.2.3.2 An athlete may be permitted to wear orthopaedic footwear or other non-ISSF dress code compliant footwear (e.g. sandals) if there is a valid medical reason. In all cases unless WSPS determines otherwise:

~~(a)a) Suchsuch~~ exceptions will be assessed and decided by the Classification Panel and recorded on the athlete's Classification and WSPS License Cards-; and

~~(b) Suchsuch~~ footwear will not be tested for flexibility during ~~equipment control.~~

2.3b) Equipment Control.

3.3 Equipment

2.3.13.3.1 Athletes must use only equipment that complies with, and is in accordance with these Rules and Regulations and the ISSF Rules. Any equipment that ~~competition officials~~ the Competition Jury deem may give an athlete an unfair advantage or is not expressly permitted in these Rules and Regulations is prohibited.

2.3.23.3.2 All equipment must be supplied by the athlete.

2.3.33.3.3 Athletes and their equipment must be within the designated area of their firing point and behind the ~~firing line~~ Firing Line.

2.3.3.13.3.3.1 An exception may be made for rifle resting stands, which will be permitted in accordance with the ISSF Rules.

2.3.43.3.4 For athletes shooting from a ~~shooting chair~~ Shooting Chair (not including a high stool), the centreline of the barrel must not exceed more than 150cm (measured from the floor).

2.3.53.3.5 SH2 athletes are permitted to add material that gives increased grip for the hands on the rifle, ~~and on the butt plate to increase the grip on the jacket~~. However:

2.3.5.13.3.5.1 The material must still allow free movement of the athlete and rifle;

2.3.5.23.3.5.2 The rifle needs to remain within the specified dimensions; and

2.3.5.33.3.5.3 The adaption must adhere to Rule 23.3.1.

2.43.4 Equipment Control

2.4.13.4.1 Team ~~leaders~~ Leaders and coaches are equally responsible for ensuring that athletes' equipment and apparel comply with these Rules and Regulations and the ISSF Rules.

2.4.23.4.2 ISSF equipment will be checked in accordance with the ISSF Rules.

2.4.33.4.3 World Shooting Para Sport WSPS-specific equipment

2.4.3.13.4.3.1 ~~'World Shooting Para Sport'~~ 'WSPS'-specific equipment' is defined as:

- a) Strapping
- b) Prosthesis
- c) Shooting table(s)
- d) Compensating block
- e) 10cm block
- f) Shooting ~~chair~~ Chair(s)

- g) SH2 rifle support stand
- h) Loading device (Pistol)
- i) Trigger extensions and adaptations

~~2.4.3.23.4.3.2~~ ~~World Shooting Para Sport~~WSPS-specific equipment checks will be done in accordance with these Rules and Regulations.

~~2.4.3.33.4.3.3~~ The athlete is responsible for submitting ~~World Shooting Para Sport~~WSPS-specific equipment and apparel for official inspection and approval before the start of every ~~competition~~Competition. As part of this process:

- a) The athlete must present both their valid ~~Athlete ID card~~Card and ~~license card~~WSPS License; and
- b) The 'Equipment Control ~~Sheet~~Sheet' (Appendix 5) must be completed and signed by all relevant parties.

~~2.4.3.43.4.3.4~~ Each athlete's ~~World Shooting Para Sport specific~~ equipment may be checked by ~~competition official~~the Competition Jury on the ~~line~~Firing Line prior to the start of each ~~event~~Event.

~~2.4.43.4.4~~ Random equipment checks will be done by the ~~equipment control officials~~Competition Jury from Equipment Control directly after an ~~event~~Event.

2.5.3.5 Strapping

~~2.5.13.5.1~~ ~~The athletes~~Athletes are not allowed to hold or touch the straps when competing to gain stability.

~~2.5.23.5.2~~ Straps must not exceed 5cm in width.

~~2.5.33.5.3~~ Below knee: it is permitted to have 1 below knee strap to the ~~shooting chair~~Shooting Chair.

~~2.5.43.5.4~~ Above knee: the legs may be strapped together once above the knees but not to the chair.

~~2.5.53.5.5~~ In ~~SH1/SH2A Events~~, in the case of ~~SH1/SH2A~~ athletes with double above-knee amputation (and not using any prosthesis), a strap across the stumps and strapped to the chair is permitted.

2.6.3.6 Trigger extensions and adaptations

2.6.13.6.1 In accordance with the ISSF Rules, the style/shape of a trigger is a personal choice as long as it stays within the boundary of the given dimensions (as stated in the ISSF Rules regarding 'Depth of fore-end' and 'Maximum thickness (breadth) of the fore-end').

2.6.23.6.2 The shape of the trigger is free; however the trigger must remain safe and stay within the permitted dimensions.

2.6.2.13.6.2.1 **Trigger extension:** triggers that have modifications compared to standard triggers, but are inside the dimensions of the ISSF Rules and protected by a trigger guard.

2.6.2.23.6.2.2 **Trigger Adaptions:** triggers that have modifications compared to standard triggers, and are outside of the trigger guard and dimensions of the ISSF Rules. **(see Appendix 6).**

3.6.3 **Trigger adaptations are only permitted in the following circumstances:**

(a)3.6.3.1 Athletes must have a medical reason to use a trigger adaptation.

(b)3.6.3.2 ~~This~~**The athlete's request to use a trigger adaptation** must be reviewed and approved by a ~~World Shooting Para Sport~~**WSPS** Classification Panel during a ~~Technical Assessment~~**technical assessment** (in consultation with the Technical Delegate, regarding the safe use of the proposed trigger adaptation) ~~and recorded on the athlete's Classification and License Cards.~~

2.6.33.6.3.3 ~~Trigger adaptations are permitted, if specified~~**If approved, the trigger adaptation must be recorded** on the athlete's ~~classification~~**Classification** card ~~and WSPS License.~~

~~2.6.4~~ ~~Trigger adaptations are all triggers or trigger amendments that are outside of the dimensions of the trigger guard (see Appendix 6).~~

2.7.3.7 Shooting Chairs

2.7.13.7.1 A “Shooting Chair” is any object on which an athlete sits to shoot. This includes wheelchairs, ~~stools~~, chairs, seats, ~~stools~~ and high stools.

3.7.1.1 ~~High stools are Shooting Chairs when the athlete sits with his/her feet on the ground, with a seat at a height~~ A high stool allows athletes to compete with their feet on the ground adopting a standing position while supported by a seat. WSPS shall have final discretion as to ~~whether any object shall be deemed a high stool. All athletes competing on high stools must comply with the following rules:~~

- 2.7.1.1a) ~~the minimum height of the seat must be equal to or higher than the athlete’s mid-thigh height. The mid-thigh height is the mid-measurement between the knee joint to the hip joint (measured along the femur bone). Any disputes will be resolved by the Technical Delegate in his/her absolute discretion.~~);
- b) ~~the maximum height of the seat is the measurement of the athletes inside leg length minus 7 cm;~~
- c) ~~the measurement of the base of the stool must be no greater than 60X60 cm. The base of the stool must be 3 or 4 independent legs. The base may not connect the legs;~~
- d) ~~the seat must be circular or rectangular. Use of a bike seat is permitted except for athletes with an amputation at the hip(s) joint;~~
- e) ~~the athlete’s feet must not touch the base of the high stool; and~~
- f) ~~both feet of the athlete must be in front of the forward part of the seat.~~

2.7.23.7.2 ~~All Shooting Chairs will be checked with the athlete in the shooting position during equipment control~~ Equipment Control and will be subject to spot checks on the ~~shooting line~~ Firing Line before, during or immediately after the ~~competition.~~ Competition. Any disputes will be resolved by WSPS or the Technical Delegate in their absolute discretion

2.7.33.7.3 ~~For Athletes using wheelchairs used as Shooting Chairs, there must be no use of mechanical tools to “lock or unlock” a shooting on their firing point. This includes screwdrivers. The athlete must be able to remove themselves from the firing line~~ Firing Line without any artificial assistance.

3.7.3.1 For the purposes of this Rule, examples of artificial assistance include any tool used to lock a Shooting Chair onto the firing point (for example a screwdriver).

3.7.3.2 For the avoidance of doubt, the wheelchair’s brakes shall not constitute artificial assistance for the purposes of this Rule.

3.7.3.3 Nothing in this Rule shall prevent another individual (for example a Coach or Loader) from providing physical assistance (e.g. pushing a wheelchair) in removing an athlete from the Firing Line.

2.7.43.7.4 The guidelines for armrests, sideboards and table per discipline are summarised below.

Position	Armrests	Sideboards	Table
Kneeling	Authorised only if the armrests are used to attach the table, however, the arm rests must not provide additional trunk support or stability (see Rule <u>34.2.1.2</u>).	Not authorised.	Authorised, however the table frame must not provide additional support or stability in any way (see Rule <u>34.2.1.2</u>).
Prone	Authorised only if the armrests are used to attach the table. The arm(s) of the shooting chair which are not used to attach the table/board must be removed.	Authorised, however they must not provide additional trunk support or stability.	Authorised (however with restrictions as stipulated in Rule <u>34.2.2.1</u>).
	The arm(s) of the Shooting Chair which are not used to attach the table/board must be removed.		
Standing	Not authorised. Refer to rule <u>34.2.3.2</u>	Not authorised. Refer to rule <u>34.2.3.2</u>	Not authorised.

~~2.7.5~~3.7.5 Handles and side posts may not exceed the height of the backrest.

~~2.7.6~~3.7.6 The height of the wheels of the wheelchair may not exceed the height of the athlete's hip when in the sitting position. An athlete's hip is not allowed to touch the wheels.

~~2.7.7~~3.7.7 ~~Subject to the other terms of this Rule 3.7, it is not permitted to add any material or modify the structure of the Shooting Chair to gain stability of the pelvis or the spine and thus gain an unfair advantage.~~

~~2.7.7.1 Under special circumstances the Classification Panel may allow a special backrest to overcome a specific physiological condition of the spine (special circumstances must be written on the athlete license card).~~

~~2.7.8~~3.7.8 Athletes must not lean on the side posts or wheels of their Shooting Chairs to gain stability of the pelvis or the spine and thus gain unfair advantage.

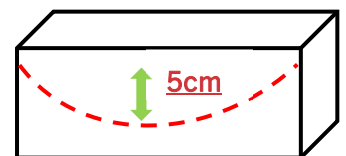
~~2.7.8.1~~3.7.8.1 The sides of the torso may touch the side posts; however, it is not permitted for athletes to use the side posts to gain additional stability of the spine.

~~(a)~~3.7.8.2 The spine must not be in contact with the post when the athlete is in the shooting position.

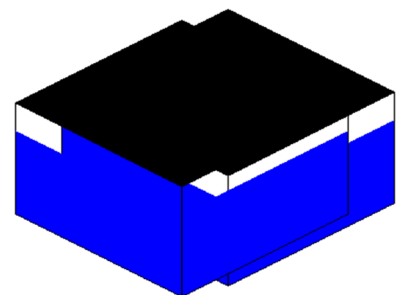
~~2.7.9~~3.7.9 Seating pad/cushion:

~~2.7.9.1~~3.7.9.1 All cushions thinner than 5cm are permitted.

~~2.7.9.2~~3.7.9.2 Cushions thicker than 5cm are permitted only if they are compressible to a maximum depth of 5cm when the athlete is sitting in the shooting position.

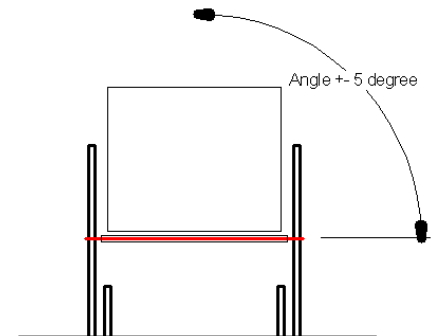


~~2.7.9.3~~3.7.9.3 Stacked cushions (consisting of a non-compressible booster/block – used to adjust the level_of the sitting height, with a compressible cushion on top) are permitted. However, as stated above, the compressible cushion part must be compressible only to maximum depth of 5cm when the athlete is sitting in the shooting position.



2.7.9.43.7.9.4 Testing of the compression of the cushion is completed at ~~equipment control~~ **Equipment Control**, and may also be checked on the ~~line~~ **Firing Line**.

2.7.9.53.7.9.5 Any programmable ~~or adjustable~~ air cell cushion is prohibited.



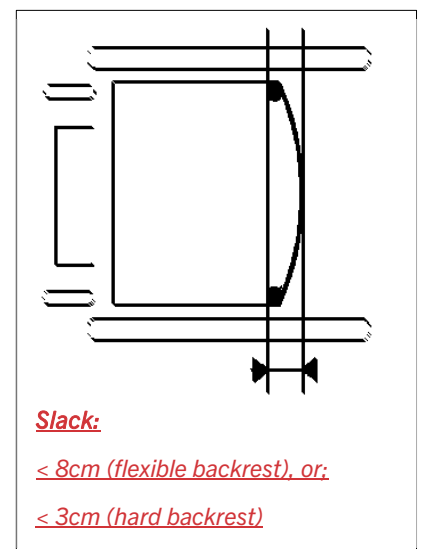
2.7.103.7.10 **Sitting angle and backrest angle**

2.7.10.13.7.10.1 The sitting angle and backrest angle is free; however the axis of the wheelchair from side-to side must be horizontal (± 5 degrees).

2.7.113.7.11 **Backrest slack**

2.7.11.13.7.11.1 The backrest may be made of hard or flexible material:

(a)a Backrests made from flexible material: the maximum slack (stretch) of the backrest (the distance from the front of the vertical side posts of the backrest to the deepest part of the backrest) shall not exceed 8cm;



~~(b)~~**b)** Backrests made from hard material: the backrest may be flat or with a curved surfaced; however the maximum slack (depth of the curve) of the backrest (the distance from the front of the vertical sides of the backrest to the deepest part of the backrest) shall not exceed 3cm. If the backrest is upholstered with compressible material, the maximum depth of the curve must still not exceed the permitted depth of 3cm when the material is compressed.

~~2.7.11.23.7.11.2~~ Backrest slack is to be measured with the athlete in the Shooting Chair in the shooting position.

~~2.7.123.7.12~~ **Visible Free Height**

~~2.7.12.13.7.12.1~~ **Score A**

- ~~a)~~**a)** A back-support of any height may be fitted to the Shooting Chair in such a way that ~~competitors~~**athletes** may take a rest against it between shots~~;~~
- ~~b)~~**b)** There must be clearly no contact between athlete and back-support when firing.

~~2.7.12.23.7.12.2~~ **Score B**

- ~~a)~~**a)** A minimum of 60% of the total back length of the athlete needs to be above the backrest~~;~~
- ~~b)~~**b)** The measurement will be taken the middle of vertebra C7 - vertebra prominence~~;~~
- ~~c)~~**c)** The measurement will be recorded on the athlete's Classification and ~~Licence Cards~~**WSPS License** as the minimum 'Visible Free Height'.

~~2.7.12.33.7.12.3~~ **Score C**

- ~~a)~~**a)** The measurement will be taken the middle of vertebra C7 - vertebra prominence.

~~(b)~~ The measurement will be recorded on the ~~Athlete's~~ athlete's Classification and WSPS License Cards as the minimum 'Visible Free Height'.

~~2.7.12.4~~ 3.7.12.4 No part of the backrest may be higher than the minimum Visible Free Height as specified in the athlete's ~~license card~~ WSPS License.

~~2.7.12.5~~ 3.7.12.5 ~~Technical officials~~ The Competition Jury shall:

~~(a)~~ (a) ~~Measure~~ measure the Visible Free Height of each athlete and ensure that it is not shorter than the minimum Visible Free Height indicated on the athlete's Classification and Licence Cards;

~~(b)~~ (b) ~~Place~~ place a piece of tape on the back of the ~~athletes'~~ athlete's shooting jacket to indicate the Visible Free Height (the Visible Free Height will be indicated by the bottom edge of the tape). The tape must be visible at all times.

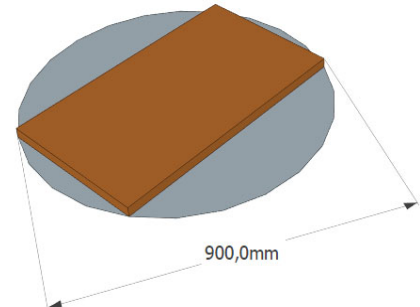
2.8.3.8 Shooting Tables

2.8.1.3.8.1 Rifle ~~events~~ Events

~~2.8.1.1~~ 3.8.1.1 Size - all components of the shooting table (regardless of shape or form) must:

~~(a)~~ (a) ~~Be~~ be of a size no larger than 90cm in diameter;

~~(b)~~ (b) ~~Remain~~ remain within the firing point dimensions.



2.8.1.2 3.8.1.2 Shape

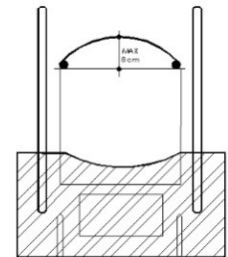
~~(a)~~ (a) Shooting tables may have a small upstanding edge fitted to prevent small items from falling (but in no way may be used for additional stability or support of the athlete) ~~);~~);.

~~(b)~~ (b) The shape of the shooting table is free ~~);~~);.

~~(c)~~ (c) If the shape of the table is curved (as in 'U-Form'), the shape of the curve must be wider than the athlete's torso, so that the left and right side of the athlete's abdomen cannot touch the table at the same time when in the prone position.

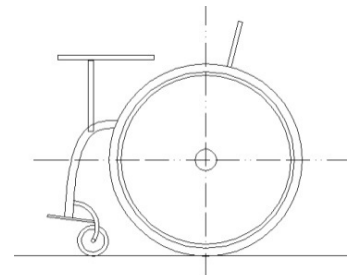
2.8.1.33.8.1.3 **Form - the construction of the shooting table**
may:

- (a)a) Either be attached to the Shooting Chair or free standing;
- (b)b) Consist of a single table, or a multiple small individual tables;
- (c)c) If two or more small individual tables are used:
 - i.i.) They must be joined or placed together in such a way as to provide one stable platform; and
 - ii.ii.) The combined surface of the tables must meet all requirements as specified for shooting tables (size, angle, shape).



3.8.1.4 **Angle**

- 2.8.1.4a) The shooting table must be horizontal or at the same angle as the floor (measured at the centre of the table).
- (a)b) A variation of ± 5 degrees is allowed.



- (b)c) Athletes with uneven upper limbs may be permitted to use a compensating block under the shorter limb when shooting in the prone position. This shall be assessed by the Classification Panel and marked on the athlete's Classification and **WSPS License Cards** if permitted.

3.8.1.5 **Support -the**

- 2.8.1.5a) **The** shooting table must not be used to gain support or stability for the body in any way, except for in the prone position.
- (a)b) In the prone position, the table can provide support (but athletes are not allowed to gain stability on the left or right side of the chair with the abdomen).

3.8.1.6 **Upholstering -**

~~2.8.1.6a)~~ The table or board may be upholstered with compressible material of a maximum thickness of 2cm.

~~(a)b)~~ The material on the table must be of uniform thickness for both elbows; ~~and.~~

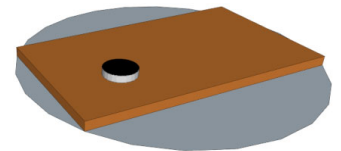
~~(b)c)~~ It is not permitted to make a hollow in the table or board or in the upholstered material.

3.8.1.7 **Elbow support table in the kneeling position** ~~the~~

~~2.8.1.7a)~~ The maximum surface for support of the elbow in the kneeling position is 10cm in diameter. This support can be from:

~~(a)I.~~ Aa small shooting table (10cm surface diameter); or

~~(b)II.~~ Anan additional mounted support (hereafter '10cm block') added to the larger shooting table: a removable board with a diameter of 10cm and a thickness of at least 20mm.



2.8.1.8 **Shooting stand support** ~~An additional separate board or table may be allowed for the shooting stand.~~

~~a) An additional separate board or table may be allowed for the rifle rest.~~

2.8.2.3 **Pistol events Tables**

~~2.8.2.13.8.2.1~~ In the event that the range bench is fixed to the ground so the athlete cannot get close enough to rest and load the pistol, or the bench is designed in such a way that means the athletes' shooting position is compromised and cannot safely operate the loading procedure, the use of an additional small table may be permitted:

~~(a) The~~ the additional table must be presented at ~~equipment control;~~

~~a) The~~ Equipment Control;

~~(b)b)~~ the Competition Jury from Equipment Control will make an assessment on a case ~~by~~ case basis and will confirm if the use of an additional small table will be permitted; and

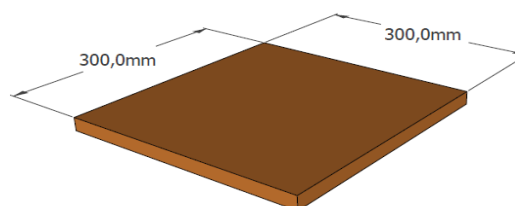
~~(c)~~ The use of the table will ~~check~~ be checked on the ~~line~~ Firing Line by the Competition Jury to confirm that the table is used in a safe manner by the athlete.

2.8.2.23.8.2.2 The additional table (if permitted) must be within the following specifications:

~~(a)~~ a Maximum size of 30cm x 30cm ~~±~~

~~(b)~~ b Maximum height of 100cm ~~±~~

~~(c)~~ c The table must in no way provide additional support to the athlete in the shooting position.



2.9.3.9 SH2 Support stands

2.9.13.9.1 All SH2 athletes ~~will~~ must use an approved support stand (see **Appendix 7**) to support the weight of the rifle.

2.9.23.9.2 The Classification Panel will assess muscle power in the shooting arm (arm used to shoulder the rifle) for athletes in Sport Class SH2 for the purpose of identifying if the athlete may use a weak or a strong spring on the rifle support.

2.9.33.9.3 Depending on the athlete's assessment score, they will be allocated a subclass; 'a' or 'b'.

2.9.43.9.4 This subclass will be recorded on the athlete's Classification and WSPS License Cards and determines which spring the athlete shall use in their support stand:

Subclass	Spring Characteristics
a	WEAK SPRING (white plastic part) = flexibility minimum 35mm
b	STRONG SPRING (black plastic part) = flexibility minimum 25mm

2.9.53.9.5 The shooting stand may be fixed to the table or on a tripod.

2.9.63.9.6 No other support or mechanical devices may be used as a support for the rifle.

2.9.73.9.7 No device or substance may be attached to the rifle or the shooting stand in order to hold the rifle in a fixed position in, or against the shooting stand.

~~2.9.8~~2.9.9.8 The athlete's hands must not be placed in front of the spring or interfere with the operation of the spring when firing a shot.

~~2.9.9~~2.9.9.9 The pin and the spring of the shooting stand must be in vertical position, front to back.

~~2.9.10~~2.9.10.10 It is allowed to shorten the bottom part of the support stand. The remaining length needs to be at least 20mm, so that it will be possible to check the flexibility of the support stand during ~~equipment control~~Equipment Control.

~~2.9.11~~2.9.11.11 Yoke (rifle holder)

~~2.9.11.13~~2.9.11.1.1 The rifle may not contact both sides of the yoke at the same time.

~~2.9.11.23~~2.9.11.2 The yoke must be at least 1cm wider than the width of the rifle stock.

~~2.9.11.33~~2.9.11.3 It is allowed to add material inside the yoke as long as it is comparable to the surface of a shooting glove and doesn't interfere with the yoke measurements.

~~2.9.12~~2.9.12.12 Point of balance

~~2.9.12.13~~2.9.12.1 The point of balance of the rifle must be marked at equipment check. The rifle must be placed ± 5 cm of its point of balance on the rifle support stand and the total 10cm range must be marked. -The complete yoke must be within the 10cm range.

~~2.9.12.23~~2.9.12.2 The point of balance on gas or compressed air rifles will be measured with full containers.

~~2.9.12.33~~2.9.12.3 The total weight of the upper part of the support stand must be less than 200 grams. The spring must be an official ~~World Shooting Para Sport~~WSPS-approved model (see **Appendix 7**).

~~2.9.13~~2.9.13.13 Test bar for spring flexibility (Appendix 7)

~~2.9.13.13~~2.9.13.1 Weight and tolerances for testing the flexibility of the springs are:

•~~a~~a) Bar 1) 250 Grams +2 - 0 (used for zeroing)

•~~b~~b) Bar 2) 720 Grams +0 – 2 (used to test the flexibility)

~~2.9.13.23~~2.9.13.2 All springs must be checked at ~~equipment control~~Equipment Control prior to ~~competition~~Competition according to Appendix 7.

~~(a) If a spring fails at the first testing, a further 3 subsequent tests must be conducted for up to 3 subsequent tests;~~

~~(b) Each subsequent test must be conducted with the spring in a different position (3 rotations by 90 degrees clock-wise from the marked open turn).~~

~~(c) The fall side of the spring must be marked and facing the athlete during competition.~~

~~2.9.13.3~~ 2.9.13.3 All springs must have the open turn and must be marked in the position at which the spring passes the test, and the spring must be used in this same position during the ~~competition.~~ Competition as described in Appendix 7.

~~2.9.14~~ 2.9.14 ~~The exact dimensions and specifications of the support stand parts are available on the World Shooting Para Sport website.~~

~~3.9.13.4~~ 3.9.13.4 ~~An athlete may use two different springs (10m and 50m) during a Competition. Both springs must successfully go through Equipment Control.~~

34 Rifle ~~rules~~Rules

~~3.11.1~~ Events and times

~~4.1~~ Events and times

~~3.1.14.1.1~~ All rifle ~~event~~Event times are in accordance with these Rules and Regulations ~~and the ISSF Rules.~~

~~3.1.24.1.2~~ ~~Recognised~~WSPS Competitions may comprise the following rifle ~~events~~:Events (the “Rifle Events”):

Event	Discipline	Gender	Class	Shots	Time Electronic Targets	Time Target-carriers & pit-operated competitions

<u>Event</u>	<u>Discipline</u>	<u>Gender</u>	<u>Class</u>	<u>Shots</u>	<u>Time Electronic Targets</u>	<u>Time Target carriers & pit-operated Competitions</u>
R1	10m Air rifle standing	Men	SH1	60	1:15	1:30
R2	10m Air rifle standing	Women	SH1	60	1:15	1:30
R3	10m Air rifle prone	Mixed	SH1	60	0:50	1:00
R4	10m Air rifle standing	Mixed	SH2	60	1:15	1:30
R5	10m Air rifle prone	Mixed	SH2	60	1:00	1:10
R6	50m Rifle prone	Mixed	SH1	60	0:50	1:00
R7	50m Rifle 3 positions	Men	SH1	40 kneeling 40 prone 40 standing	2:45	3:15
R8	50m Rifle 3 positions	Women	SH1	40 kneeling -40 prone -40 standing	2:45	3:15
R9	50m Rifle prone	Mixed	SH2	60	1:00	1:10
<u>*MTR1</u>	<u>Mixed Team Rifle Standing SH1</u>	<u>Mixed</u>	<u>SH1</u>	<u>30 + 30 (Part 1)</u> <u>20 + 20 (Part 2)</u>	<u>0:30 (Part 1)</u> <u>0:20 (Part 2)</u>	<u>N/A</u>
<u>*MTR2</u>	<u>Mixed Team Rifle Standing SH2</u>	<u>Mixed</u>	<u>SH2</u>	<u>30 + 30 (Part 1)</u> <u>20 + 20 (Part 2)</u>	<u>0:30 (Part 1)</u> <u>0:20 (Part 2)</u>	<u>N/A</u>

*Non-Paralympic Event

4.1.3 ~~It is recommended that in Events R3, and all SH2 events at least every third firing point is left vacant to avoid the disturbance of other athletes. The final decision on this matter will be made by the Technical Delegate.~~

~~3.1.3~~ ~~It is recommended that in events R3, R4 & R5, at least every third firing point is left vacant to avoid the disturbance of other athletes. The final decision on this matter will be made by the Technical Delegate.~~

3.1.44.1.4 In the R7 and R8 ~~events~~Events, one coach/team member is permitted to assist the athlete in the changeover time between positions; however, athletes must lead and ~~also~~ actively participate in the changeover process.

4.1.4.1 ~~If the athlete is not actively participating in the changeover process (for example, assisting with rifle adjustments) the penalty for a first violation in a Competition will be first a yellow card, followed by a green card (two (2) point penalty) for a second violation in that Competition, with a third violation in that Competition resulting in a red card (disqualification).~~

~~3.1.54.1.5~~ No unused equipment or additional chairs may be left on the field of play.

~~3.1.64.1.6~~ Athletes may not use chairs to rest their equipment on.

3.1.74.1.7 Finals

3.1.7.14.1.7.1 ~~The ISSF Rules regarding timings of events~~Events will be followed in all ~~finals, with~~Finals, ~~except for SH2 Events. Refer to the exception of SH2 events~~WSPS Finals Commands document available on the WSPS website.

~~(a)a~~ In SH2 eventsEvents, the preparation time following the presentation of athletes is extended to two (2) minutes.

3.1.7.24.1.7.2 During the presentation phase:

~~(a)a~~ SH1 athletes must rest the rifle in a safe way. For the standing position the rifle must be placed on the resting standrifle rest with a hand remaining on the rifle for safety or in the oblique position;

~~(b)b~~ SH2 athletes must rest their rifles on the table/bench (with the assistance of the Loader);

~~(c)c~~ Allathletes must turn their faces to the audience as much as possible and make a gesture to acknowledge the audience when their name is called; and

~~(d)~~ Loaders must leave the firing point during athlete presentations.

~~3.1.7.34.1.7.3~~ After athletes have been presented to the audience, they are not permitted to resume their shooting position until the Chief Range Officer commands 'Athlete, take your position.'

~~3.1.7.44.1.7.4~~ During the final, Loaders must move to the back of firing point (1m behind the athlete) between shots. During the single shot series, the ~~loader~~ Loader must wait until "stop" is commanded before returning to the athlete.

~~3.1.7.54.1.7.5~~ Athletes (and Loaders) must ensure they do not touch the rifle with a pellet/bullet before the command "LOAD" is given.

~~3.1.7.6~~ The loading process must be completed within 5 seconds from the command "LOAD" being given.

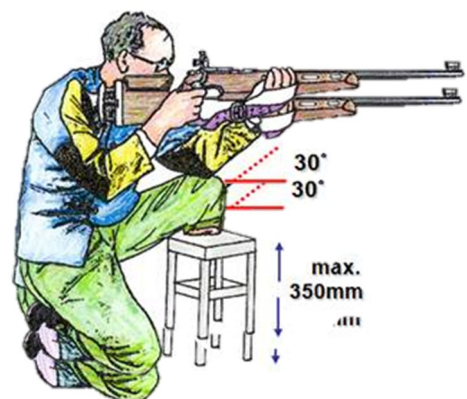
~~(a)4.1.7.6~~ ~~In R4 and R5, except in SH2 Events, where~~ athletes/Loaders must complete the loading process within 10 seconds from the command "LOAD" being given.

~~3.1.7.74.1.7.7~~ If eliminated from the final, all athletes (including SH2) must immediately leave their firing point and move to the side of field of play to their allocated place next to their coach. Coaches/Loaders may assist athletes in this process.

3.24.2 Shooting positions

3.2.14.2.1 Kneeling

~~3.2.1.14.2.1.1~~ SH1A athletes with lower limb deficiency are able to compete in the ISSF kneeling position using prosthesis or a stool of 35cm maximum height (if marked on the athlete's Classification Card) to support the rifle-supporting leg.



~~3.2.1.24.2.1.2~~ If a Shooting Chair and table is used:

~~(a)a)~~ ~~The competitor~~ the athlete must comply with WSPS Rules 3.7 and 3.8;

~~(b)~~(b) ~~Only~~ one elbow must rest on the table or board and the body must be well clear of the board;

~~(c)~~(c) ~~The~~ supporting forearm must form an angle of not less than 30 degrees from the horizontal. Only the point of the elbow may be supported on the 10cm block;

~~(d)~~(d) ~~No~~ support may be gained from the board/table frame/arm rests;

~~(e)~~(e) ~~The~~ arm(s) of the Shooting Chair (which are not used to attach the table/board to) must be removed.

3.2.24.2.2 Prone

3.2.2.14.2.2.1 -All athletes (SH1 & SH2) are not allowed to fixate their body between the backrest and the table; they may either lean on the backrest or the table for stability but not both.

3.2.2.24.2.2.2 Should an athlete have uneven upper limb lengths, it is permitted to use a compensating block (under the shorter limb). This shall be assessed by the Classification Panel and marked on the athlete's Classification and WSPS License Cards if permitted.

3.2.2.34.2.2.3 **50m Rifle Prone:** athletes may choose to compete either in the position as described in the ISSF Rules, or with the use of a Shooting Chair and table.

3.2.2.44.2.2.4 **10m Air Rifle prone:** ~~competitors~~athletes may not lie down, but must use a Shooting Chair and table.

3.2.2.54.2.2.5 SH1

~~(a)~~(a) Both elbows must rest on the table or board~~;~~.

~~(b)~~(b) The upper arms must not touch the table or board (it is recommended that the part of the table below the upper arm is removed~~;~~).

~~(c)~~(c) The forearm must not form an angle of less than 30 degrees from the horizontal, measured from the axis of the forearm~~;~~.

~~(d)~~(d) In the case of upper limb deficiency athletes: it is permitted to hold the rifle with a normal prosthesis, ~~as long as~~if the prosthesis does not grip the rifle and does not have a fixed elbow.

~~(e)e~~ Both the forearms and the sleeves of the shooting jacket must be visibly raised from the surface of the table as per ISSF rules.

3.2.2.64.2.2.6 SH2

~~(a)a~~ Use of a sling is prohibited~~;~~.

~~(b)b~~ Both elbows (if the athlete's ~~impairment~~Impairment allows) must rest on the table or board~~;~~.

~~(c)c~~ If the athlete's ~~impairment~~Impairment does not allow for both elbows to be rested on the table, the athlete may rest their non-shooting arm on the table, on top of the rifle, or on their body, provided that the arm is visibly relaxed and not used in such a way as to gain additional support and an unfair advantage~~;~~.

~~(d)d~~ The upper arms must not touch the table or board (it is recommended that the part of the table below the upper arm is removed).

3.2.34.2.3 Standing

3.2.3.14.2.3.1 Athletes with a trunk function score A may choose to compete free-standing (if so, they must stand free of any artificial support, with the exception of medically certified normal prosthesis/orthosis).

3.2.3.24.2.3.2 The arms and sideboards of the Shooting Chair and the shooting table must be removed (if the construction of the wheelchair requires a sideboard, the height of this may not exceed the height of the top of the wheel ~~by more than 10mm~~).

3.2.3.34.2.3.3 When shooting from a high stool, the athlete must be able to remove his/her feet ~~off~~from the floor, without losing balance and without moving the upper body.

3.2.3.44.2.3.4 SH1

~~(a)a~~ The rifle must be held with the arms only, without support (as per the ISSF Rules)~~;~~.

~~(b)b~~ No part of the arms may come in contact with any part of the ~~shooting chair;~~Shooting Chair.

~~(c)~~ (c) Not any part of the elbows is to make contact with the lap, wheel or gain support other than from the ribcage, hip or abdomen. The penalty for noncompliance with this rule is first a Yellow Card, followed by a Green Card (two (2) point penalty), with a 3rd violation resulting in a Red Card (disqualification).

3.2.3.54.2.3.5 SH2

~~(a)~~ (a) In the case of arm-amputee athletes it is not permitted to hold (touch) the rifle with the prosthesis in standing position; ~~1.~~

~~(b)~~ (b) In the standing position all athletes must clearly and visibly de-shoulder (removal of physical contact between butt plate and shoulder) the rifle in between shots. There must be a visible separation of at least 3cm between every shot.

c) The penalty for not de-shouldering between shots will be first a Yellow Card, followed by a Green Card (two (2) point penalty), with a 3rd violation resulting in a Red Card (disqualification).



3.34.3 Loaders (SH2 only) for Qualification Rounds

3.3.14.3.1 ~~Loading Assistants~~ Loaders apply only to SH2 athletes competing in SH2 ~~events,~~ Events and are permitted only as described in the World Shooting Para Sport WSPS Classification Rules and Regulations.

3.3.1.14.3.1.1 A Classification Panel makes the decision as to whether an athlete is permitted to have a Loading Assistant Loader and the outcome will be marked on the athlete's Classification and WSPS License ~~Cards.~~

3.3.24.3.2 The Loaders must:

3.3.2.14.3.2.1 ~~Not~~ not speak or give signals during the match;

~~3.3.2.24.3.2.2~~ 3.3.2.24.3.2.2 ~~Only~~ only load the rifle and/or adjust the sights at the request of the athlete, not support the rifle.

~~3.3.34.3.3~~ 3.3.34.3.3 In ~~the SH2 events~~ Events, every third (3rd) firing point will be left free. This free ~~Firing Point~~ firing point must be used as space for the ~~Athlete~~ Loaders.

~~3.3.3.14.3.3.1~~ 3.3.3.14.3.3.1 Depending on the ~~Firing Point~~ firing point allocated, Loaders must stand to the left or right of their athlete as specified by the allocated firing point.

~~3.3.3.24.3.3.2~~ 3.3.3.24.3.3.2 The ~~Loading Assistant~~ Loader's position (left/right of the athlete) is fixed according to the firing point and cannot be changed to the other side of the athlete.

~~3.3.44.3.3.3~~ 3.3.44.3.3.3 Loaders must stay in position for the duration of the ~~competition~~ Competition and ~~should~~ must not move to the back of the firing point between shots.

~~3.3.54.3.4~~ 3.3.54.3.4 If the Loader is also the athlete's coach, they must first ask permission of the range officer before speaking to each other, in accordance with Rule 2.16 above.

45 Pistol rulesRules

4.15.1 Events and times

4.1.15.1.1 All pistol ~~event~~Event times are in accordance with these Rules and Regulations and the ISSF Rules.

4.1.25.1.2 RecognisedWSPS Competitions may comprise the following pistol ~~events~~:Events (the “Pistol Events”):

Event	Discipline	Gender	Class	Shots	Time Electronic Targets	Time Target carriers & pit- operated competitions Competitions
P1	10m Air Pistol	Men	SH1	60	1:15	1:30
P2	10m Air Pistol	Women	SH1	60	1:15	1:30
P3	25m Pistol	Mixed	SH1	60	-	-
P4	50m Pistol	Mixed	SH1	60	1:30	1:45
*P5	10m Air Pistol Standard	Mixed	SH1	40-	-	-
*MTP	<u>Mixed Team Pistol</u>	<u>Mixed</u>	<u>SH1</u>	<u>30 + 30 (Part 1)</u> <u>20 + 20 (Part 2)</u>	<u>0:30 (Part 1)</u> <u>0:20 (Part 2)</u>	<u>N/A</u>

*Non-Paralympic Event

4.1.35.1.3 P3 ~~event~~Event is to be shot according to the ISSF 25m Pistol Rules.

5.1.3.1 If the bench of the 25-meter range is too high for siting athletes to perform the 45-degree angle in the ready position, the ‘ready position’ can be accepted as the lowest point to the surface of the bench.

5.1.3.2 In no case may the pistol rest on the bench during the ready position.

5.1.3.3 Athletes may request this modified ready position. The decision to allow the modified ready position is at the discretion of the Technical Delegate.

4.1.45.1.4 P5 (10m Air Pistol Standard) ~~event~~Event is to be shot in accordance ~~to~~with the ~~rules~~Rules as ~~outlined~~set out in **Appendix 8**.

4.1.55.1.5 No equipment or additional chairs may be left on the field of play.

4.1.65.1.6 Athletes may not use chairs to rest their equipment on.

5.1.7 **Finals**

~~4.1.71.1.1~~ **Finals**

5.1.7.1 The ISSF Rules regarding timings will be followed in all Finals as set out in the 'WSPS Finals Commands' document available on the WSPS website.

~~4.1.7.11.1.1.1~~ During the presentation phase all athletes must turn their wheelchair or body completely to face the spectators (as per the ISSF Rules). ~~finals~~.

~~4.1.7.25.1.7.2~~ During the presentation phase all athletes must turn their wheelchair or body completely to face the spectators (as per the ISSF Rules).

4.1.7.35.1.7.3 After athletes have been presented to the audience, they are not permitted to resume their shooting position until the ~~CRO~~Chief Range Officer commands, "~~Athlete~~athlete, take your position". After two (2) minutes the commands for the first match series or "Load" will be given.

4.1.7.45.1.7.4 Athletes must ensure they do not touch the pistol with a pellet/bullet before the command "LOAD" is given.

4.1.7.55.1.7.5 The loading process must be completed within five (5) seconds from the command "LOAD" being given. ~~in Events P1, P2, and P4~~.

4.1.7.65.1.7.6 If eliminated from the ~~final~~Final, all athletes must immediately leave their firing point and move to the side of field of play to their allocated place next to their coach. Coaches may assist athletes in this process.

4.25.2 Shooting position

4.2.15.2.1 SH1A athletes may choose to compete free-standing. If so, they must stand free of any artificial support, ~~with the exception of~~except for medically certified normal prosthesis/orthosis.

4.2.25.2.2 The arms and sideboards of the Shooting Chair and the shooting table must be removed.

4.2.35.2.3 The non-shooting arm/hand must not be on the ~~shooting chair~~Shooting Chair or in a position to give the athlete an unfair advantage (in accordance with the ISSF Rules).

4.2.45.2.4 Any additional items between the legs and the non-shooting arm (such as a cushion) are not allowed.

4.35.3 Loading device (safety)

4.3.15.3.1 Loading safety must follow the ISSF Rules, ~~with the exception of~~except for Rule ~~4.3.2 below.~~ 5.3.2 below.

4.3.25.3.2 A loading device, to hold the pistol to enable it to be loaded or unloaded safely, must always be used ~~at all times~~ if it is specified on the athlete's Classification card and WSPS License Cards—following Classification of the athlete by the Classification Panel.

4.3.2.15.3.2.1 The loading device will be checked at ~~equipment control~~Equipment Control by ~~a W Judge~~the Competition Jury to ensure safe handling.

56 Shotgun ~~rules~~Rules

5.1 Introduction

~~5.1.1 The provisions of this Rule 5 shall be valid for a period of two (2) years from 01 September 2017, during which time World Shooting Para Sport will monitor their implementation. Such monitoring may result in amendments to this Rule after the two (2) year review period.~~

5.26.1 Events and times

~~5.2.16.1.1~~ All ~~shotgun events~~Shotgun Events and times are in accordance with these Rules and Regulations ~~and the ISSF Rules.~~

~~5.2.26.1.2~~ RecognisedWSPS Competitions may be comprised of the following shotgun events:Events (the “Shotgun Events”):

Event	Discipline	Gender	Class	Shots	Targets	Preparation Time Limits
*PT1	Trap Seated	Mixed	SG-S	125	Day 1 – 75 Targets Day 2 – 50 Targets	15 sec
*PT2	Trap Standing (Lower Limb)	Mixed	SG-L	125	Day 1 – 75 Targets Day 2 – 50 Targets	15 sec
*PT3	Trap Standing (Upper Limb)	Mixed	SG-U	125	Day 1 – 75 Targets Day 2 – 50 Targets	15 sec

*Non-Paralympic Event

~~6.1.3 Shotgun Events will be conducted in accordance with ISSF Rules.~~

5.36.2 Shooting position

5.3.16.2.1 Sport Class SG-S

~~5.3.1.16.2.1.1~~ Athletes in Sport Class SG-S must compete seated in a wheelchair or on a stool.

~~5.3.1.26.2.1.2~~ If seated in a wheelchair ~~Athletes~~athletes must sit with the spine against the backrest of the wheelchair. Strapping to the backrest is allowed. The buttocks must remain in full contact with the seat of the wheelchair throughout the movement.

5.3.1.36.2.1.3 The feet must rest on the footplate of the wheelchair, or the lower limb must be supported by a leg rest with knees bent to a 90-degree angle or the angle indicated on the Athlete's Classification Card. The feet must not be placed on the ground hereby enlarging the support base of the Athlete as created by the standard wheelchair configuration.

5.3.1.46.2.1.4 If the Athlete uses a stool the feet must support the weight bearing in a vertical plane to the stool, unless anatomical restrictions do not allow this. Such restriction must be recorded on the Athlete's Classification Card. The buttocks of the Athlete must remain in full contact with the stool throughout the movement.

5.3.1.56.2.1.5 Athletes in Sport Class SG-S must be watched by the Competition Jury or another delegated official to ensure that throughout the shot, the athletes remain seated, the spine is in contact with the backrest of the wheelchair (if seated in a wheelchair) and the feet adhere to the requirements outlined above.

5.3.1.66.2.1.6 Athletes in Sport Class SG-S may use strapping on their upper body to ensure safety while firing. The strapping used must not exceed 10 cm in width and must not be elastic. As much body weight may be supported by the strapping as the Athlete determines is necessary.

5.3.26.2.2 Sport Class SG-L

5.3.2.16.2.2.1 Athletes in Sport Class SG-L must compete in the standing position.

5.3.2.26.2.2.2 No stool, gadget or any device to support standing is permitted.

5.3.36.2.3 Sport Class SG-U

5.3.3.16.2.3.1 Athletes in Sport Class SG-U must compete in the standing position.

5.3.3.26.2.3.2 No stool, gadget or any device to support standing is permitted.

5.46.3 Loading device (safety)

5.4.16.3.1 Athletes competing in Sport Class SG-U must use the adaptive loading stand, as set up by the LOC, on each station on the field.

5.4.26.3.2 During ~~athlete evaluation~~ Athlete Evaluation, a Classification Panel may identify circumstances in which an individual ~~Athlete~~ athlete may not be able to, for example, safely load, hold and/or fire a shotgun. In such cases, the Classification Panel will report to the ~~technical officials~~ Competition Jury who will conduct a full investigation to determine if the use of an approved prosthesis and/or an adaptive loading stand will alleviate the safety concerns and enable the ~~Athlete~~ athlete to compete. If the ~~technical officials~~ Competition Jury determine that the ~~Athlete~~ athlete is unable to safely load, hold and/or fire a shotgun that ~~Athlete~~ athlete will not be eligible to compete in Shotgun Events.

5.4.36.3.3 For the avoidance of doubt, if the Classification Panel considers it necessary to disclose medical diagnostic information to the ~~technical officials~~ Competition Jury for the purposes of an investigation in accordance with Rule 6.3.2, above, such information shall be treated as confidential in accordance with the data protection provisions of the ~~World Shooting Para Sport~~ WSPS Classification Rules and Regulations.

5.5.6.4 Other

5.5.16.4.1 Except as provided for in Rule 6.3, above, adaptive devices used by ~~Athletes~~ athletes must be approved by ~~the Technical Delegate~~ WSPS. All adaptive devices ~~must~~ will be ~~universally available~~ inspected, and ~~not, if approved will be noted as~~ a permanent approval of the device on the athlete's license.

5.5.26.4.2 No trigger adaptations are permitted for ~~Athletes~~ athletes competing in ~~Para Trap events~~ Shotgun Events.

5.5.36.4.3 Shooting tables and support stands are not permitted for ~~Athletes~~ athletes competing in ~~Para Trap events~~ Shotgun Events.

6.7 Vision Impaired (VI) ~~rules~~Rules

7.1 ~~Events and times~~

~~6.1~~ Introduction

~~6.1.1~~ The provisions of this Rule 6 shall be valid for a period of two (2) years from 01 February 2019, during which time World Shooting Para Sport will monitor their implementation. Such monitoring may result in amendments to this Rule after the two (2) year review period.

~~6.2.1~~ 1 Events and times

~~6.2.1.1~~ All VI ~~events~~Events and times are in accordance with these Rules and Regulations and the ISSF Rules.

~~6.2.2~~ 7.1.2 WSPS Recognised Competitions may comprise the following VI ~~events~~Events (the “VI Events”):

Event	Discipline	Gender	Class	Shots	Time Electronic Targets	Time Target carriers & pit-operated competitions
VIS	10m Air Rifle Standing	Mixed	SHVI	60	1:15	1:30
VIP	10m Air Rifle Prone	Mixed	SHVI	60	0:50	1:00

It is recommended that in VI

~~6.2.2.11.1.1 events at least every third firing point is left vacant to avoid the disturbance of other athletes. The final decision on this matter will be made by the Technical Delegate.~~

<u>Event</u>	<u>Discipline</u>	<u>Gender</u>	<u>Class</u>	<u>Shots</u>	<u>Time</u> <u>Electronic</u> <u>Targets</u>	<u>Time</u> <u>Target carriers & pit-</u> <u>operated Competitions</u>
<u>*VIS</u>	<u>10m Air Rifle Standing</u>	<u>Mixed</u>	<u>SHVI</u>	<u>60</u>	<u>1:15</u>	<u>1:30</u>
<u>*VIP</u>	<u>10m Air Rifle Prone</u>	<u>Mixed</u>	<u>SHVI</u>	<u>60</u>	<u>0:50</u>	<u>1:00</u>

*Non-Paralympic Event

7.1.2.1 It is recommended that in VI Events at least every third firing point is left vacant to avoid the disturbance of other athletes. The final decision on this matter will be made by the Technical Delegate.

6.2.2.27.1.2.2 No unused equipment or additional chairs may be left on the field of play. Athletes may not use chairs to rest their equipment on.

7.1.3 Finals

7.1.3.1 The ISSF Rules regarding timings of Events will be followed in all Finals, except for VI Events. Please refer to the ‘WSPS Finals Commands’ document available on the WSPS website.

7.1.3.2 In VI Events, the preparation time following the presentation of athletes is extended to two (2) minutes.

7.1.3.3 During the presentation:

7.1.3.4 athletes must rest their rifle on the stand with a hand on the rifle for safety reasons; and

7.1.3.5 all athletes must turn their face to the audience and acknowledge the audience when their name is called.

7.1.3.6 In VIS and VIP, the athlete must complete the loading process within ten (10) seconds from the command “LOAD” being given.

7.1.3.7 The last ten (10) seconds will be announced by the Competition Jury with the command (“ten”).

7.1.3.8 The VI Assistant must stay in position for the duration of the Finals.

6.3.7.2 Apparel and Equipment

6.3.17.2.1 Shooting Jackets

6.3.1.17.2.1.1 WSPS Rule ~~2.2.3.2~~.1 will apply.

6.3.1.27.2.1.2 VI Rifle athletes may use an ISSF-approved jacket in accordance with the ISSF Rules, in the following circumstances:

Position	Style	Regulation
Prone	Shooting from a chair <u>Shooting Chair</u>	Permitted: only the top three (3) jacket buttons may be fastened and the buttons may not extend below the bottom of the ribcage or equivalent. Any additional buttons must not be used
Standing	Shooting -free-standing	Permitted: Jacket usage as per ISSF Rules

6.3.27.2.2 Shooting Trousers

6.3.2.17.2.2.1 Shooting Trousers are prohibited for all prone athletes.

6.3.37.2.3 Shooting Shoes

6.3.3.17.2.3.1 Shooting Shoes must follow ISSF Rules and WSPS Rule ~~2.2.3.3.2.3~~

6.3.47.2.4 Equipment

6.3.4.17.2.4.1 No additional light on the target is required; all lighting must follow ISSF Rules.

6.3.4.27.2.4.2 Competition Jury members must test the IR LED system. If a unit fails or is broken it is an allowable ~~malfunction~~ Malfunction.

6.3.4.37.2.4.3 The athlete must bring their own LED for the ~~competition~~ Competition.

6.3.4.47.2.4.4 ~~Competitions may be designated in which all~~ All competing athletes must wear opaque goggles or completely enclosed glasses (such as safety glasses) during qualification and Finals.

The sound unit of the athlete is not permitted to produce sound outside of the headphones.

~~7.2.4.5~~ 7.2.4.5 Audible noise from one (1) meter away is prohibited.

~~6.3.5.7.2.5~~ 6.3.5.7.2.5 Equipment Control

~~6.3.5.17.2.5.1~~ 6.3.5.17.2.5.1 Team ~~leaders~~ Leaders and coaches are responsible for ensuring that the athlete has equipment and apparel that comply with these Rules and Regulations ~~and the ISSF Rules~~.

~~6.3.5.27.2.5.2~~ 6.3.5.27.2.5.2 ISSF equipment will be checked in accordance with the ISSF Rules.

~~(a)~~ (a) VI Shooting specific equipment checks will be done in accordance with these Rules and Regulations.

~~(b)~~ (b) The athlete is responsible for submitting VI Shooting-specific equipment and apparel for official inspection and approval before the start of every ~~competition~~ Competition. As part of this process:

~~(i)~~ (i) ~~The~~ the athlete must present both their ~~valid Athlete~~ current ID ~~card~~ Card and ~~license-card~~ WSPS License; and

~~(ii)~~ (ii) ~~The~~ the 'Equipment Control ~~Sheet~~ Sheet' (Appendix 5) must be completed and signed by all relevant parties.

~~6.3.5.37.2.5.3~~ 6.3.5.37.2.5.3 Each athlete and their VI Shooting-specific equipment may be checked by ~~competition official~~ the Competition Jury on the ~~line~~ Firing Line prior to the start of each ~~event~~ Event.

~~6.3.5.47.2.5.4~~ 6.3.5.47.2.5.4 Random equipment checks will be done by the ~~equipment control officials~~ Competition Jury from Equipment Control following the ~~competition~~ Competition.

~~6.3.6.7.2.6~~ 6.3.6.7.2.6 Non-allowable -Malfunctions

~~6.3.6.17.2.6.1~~ 6.3.6.17.2.6.1 A claim that there is a ~~malfunction~~ Malfunction of the aiming system must be immediately reported to the range staff.

~~6.3.6.2~~ ~~The sound unit of the athlete is not permitted to produce sound outside of the headphones. Audible noise from 1 meter away is prohibited.~~

~~6.3.6.37.2.6.2~~ 6.3.6.37.2.6.2 Range staff will check the following during ~~competition~~ Competition:

~~(a)~~ (a) ~~Disconnected~~ disconnected wires.

~~(b)b~~ Low power bank or battery pack.

~~(c)7.2.6.3~~ All other situations regarding Malfunctions of the aiming system will be treated according to dealt with in accordance with the ISSF rules.

~~6.3.77.2.7~~ Shooting Chairs & Table for Prone Position

~~6.3.7.17.2.7.1~~ Use of a backrest in the shooting position is prohibited.

~~6.3.7.27.2.7.2~~ For the prone position, it is not allowed to have a shooting chair Shooting Chair with arm rests or sideboards.

~~6.3.7.37.2.7.3~~ WSPS Rule 2.8.1 WSPS Rules 3.8.1.1 to 2.8.1.7 3.8.1.6 will be applied.

~~6.47.3~~ Shooting Positions

~~6.4.17.3.1~~ Prone

~~6.4.1.17.3.1.1~~ WSPS Rule 3.2.2.5 4.2.2.5 will apply.

~~6.4.27.3.2~~ Standing

~~6.4.2.17.3.2.1~~ Athletes must be free-standing conforming to ISSF Rules.

~~6.4.2.27.3.2.2~~ The cheek must be used as described in the ISSF Rules.

~~6.4.2.37.3.2.3~~ The cheek piece barrel of the rifle must be at the same height as the centre of the cheek level with a maximum difference the shoulders of 5cm the athlete.

~~6.4.2.47.3.2.4~~ It is not necessary that the cheek is touching the cheek piece.

~~6.57.4~~ VI Assistant

~~6.5.17.4.1~~ Loading VI Assistants are permitted only as described in the VI Shooting Appendix three (3) to the WSPS Classification Rules and Regulations.

~~6.5.27.4.2~~ The assistant VI Assistant:

~~7.4.2.1~~ Is allowed to give nonverbal must place the LED lights on the target a minimum of fifteen (15) minutes before the call to the Firing Line;

~~6.5.2.17.4.2.2~~ verbal communication between the athlete and the VI Assistant is prohibited during the Competition. The VI Assistant is permitted to give non-verbal signals during the match for score indication and to show the direction of their target-;

~~6.5.2.27.4.2.3~~ 6.5.2.27.4.2.3 ~~May~~ may adjust the sights at the request of the athlete and is not allowed to support the rifle. Only one (1) person may be touching the ~~rifle~~ rifle during aiming; ~~and~~

~~6.5.2.3~~ 6.5.2.3 ~~The assistant position (left/right of the athlete) is fixed according to the firing point and cannot be changed to the opposite side.~~

~~(a)7.4.2.4~~ (a)7.4.2.4 ~~Assistants~~ must stand in position for the duration of the ~~event~~ Events (VIP & VIS) and it is not permitted to move ~~to the back of the firing point~~ between shots. ~~The VI Assistant position (behind the athlete) is fixed according to the rules and cannot be changed. The VI Assistant must stand at a minimum of 50cm behind the athlete and may only move to give the signals for the score of the athlete.~~

~~(b) Verbal communication between the athlete and assistant is prohibited during the competition.~~

~~6.5.2.47.4.3~~ 6.5.2.47.4.3 ~~An assistant~~ A VI Assistant may:

~~(a)7.4.3.1~~ (a)7.4.3.1 ~~Assist~~ assist the athlete with set up of equipment including the aiming device; ~~and~~

~~(b)7.4.3.2~~ (b)7.4.3.2 ~~Immediately~~ immediately notify an athlete if they are not pointing at their own target.

7 Falling Target events

7.1 Competition Format

7.1.1 The following are recognised as Falling Target events:

Event	Discipline	Class	Gender
FTR1	Falling Targets Rifle	SH1	Mixed
FTR2	Falling Targets Rifle	SH2	Mixed
FTP	Falling Targets Pistol	SH1	Mixed

7.1.2 All events are shot at a distance of 10m in the standing position, with a standard air rifle/pistol.

7.1.3 The targets are biathlon type systems with five targets. The size of the target inserts are as follows (from left to right):

7.1.3.1 FTR1 & FTR2: 6mm – 6mm – 5mm – 5mm – 4mm

7.1.3.2 FTP: 24mm – 24mm – 16mm – 16mm – 11mm

7.1.4 Each competition is run as a pool group competition with a series of progressive rounds:

7.1.4.1 Each pool group consists of a maximum of four athletes that compete against each other simultaneously;

7.1.4.2 In each round, the pool group competes over two series of five shots (with a time limit of 2 minutes 30 seconds per series)

(a) After each series of five shots the fallen targets of each athlete in the pool group must be counted, announced and recorded;

(b) If an athlete fails to shoot within the allowed time limit, the shot(s) is counted as zero.

7.1.4.3 The two athletes with the highest scores per pool group will progress to the next round of competition.

~~7.1.4.4 In case of a tie: a shoot-off (on the extreme right target) will determine the winner;~~

~~(a) FTR events:~~

- ~~▪ After three unsuccessful attempts on the extreme right target without decision, attempt the next larger size target (from right to left) and so on;~~
- ~~▪ After three successful attempts on the extreme right target without decision, times for the shoot-off change from 30 seconds to 20 seconds.~~

~~(b) FTP events:~~

- ~~▪ After three attempts on the extreme left target without decision, the shoot off time changes from 30 seconds to 20 seconds.~~

~~7.1.4.5 The competition will continue to progress until only one pool group of four athletes remain. These four athletes will compete in a final round to decide the competition medallists;~~

~~7.1.4.6 For examples of competition progression see **Appendix 9**.~~

~~7.1.5 To ensure randomness, a draw for firing points per group will be held before each round.~~

~~7.1.6 No coaching or use of scopes is permitted during the events.~~

~~7.2 Commands~~

~~7.2.1 Preparation Time~~

~~7.2.1.1 For the first round of competition: athletes have 5 minutes for preparation and sighting shots.~~

~~7.2.1.2 For the later rounds of competition (excluding the final): athletes have 3 minutes preparation time at the beginning of each round.~~

~~7.2.1.3 For the final round: athletes have 5 minutes for preparation and sighting shots.~~

7.2.2 ~~Competition commands~~

7.2.2.1 ~~The commands for the competition are as follows:~~

Command	Explanation
Preparation Time start now	Start 5 or 3 minutes
30 seconds	After 4:30min or 2:30min
STOP	End of preparation time
Change Targets and take out 5 pellets	
For the first/next competition series LOAD	
ATTENTION, START	Start 1st round
STOP	After 2:30min
Results announcement	
Change Targets and take out 5 pellets	
ATTENTION, START	Start 2nd round
STOP	After 2:30min
Results announcement	

8 Team ~~events~~Event Rules

8.1 Events and format

- 8.1.1 There will be team ~~events~~Events in each ~~event (except Falling Targets)~~Event as numbers permit, except for at the Paralympic Games.
- 8.1.2 Team scores will be calculated by adding the individual ~~event~~Event scores of the athletes within a team together (i.e. no separate team matches will be shot).

8.1.3 Only an athlete entered as a 'Full' participant may compete in team events. Athletes entered as MQS only may not participate.

8.2 Team size

- 8.2.1 All teams must consist of three ~~competitors~~athletes.

8.3 Maximum number of teams per NPC

~~8.3.1 Level 1 competitions: maximum two teams per NPC~~

8.3.1 Level 2 WSPS Sanctioned Competitions and 3 competitions WSPS Championships: only one team per event per NPC.

8.3.2 WSPS Approved Competitions: maximum two teams per event per NPC.

8.4 Event viability

- 8.4.1 Minimum three teams must be on the start list of that ~~event (after~~Event (by the final entries deadline); otherwise the ~~event~~team Event is automatically cancelled.
- 8.4.2 If only three teams participate in the ~~event~~Event, medals will be awarded according to the 'minus-one' rule (e.g. only gold and silver would be awarded).

8.5 Mixed Team

8.5.1 Maximum of two teams per event per NPC. Please refer to Appendix 11.

9 Medical ~~considerations~~Rules

9.1 Return to Field of Play Decisions

- 9.1.1 The overriding priority at all times ~~should be~~ to safeguard the health and safety of athletes. The outcome of the ~~competition~~Competition should never influence such decisions.
- 9.1.2 It is the responsibility of the team management to ~~determine~~evaluate whether a sick or injured athlete ~~may~~is fit to continue in or return to the ~~competition~~Competition. WSPS may delay or prevent any athlete from entering or participating in any Competition on the basis of the health, safety or security of any athletes or other participants, at its absolute discretion.

9.2 Epilepsy

- 9.2.1 It is the duty of all athletes and their NPCs to declare to WSPS if the athlete has ever suffered any form of epileptic fit/seizure or epilepsy-related episode.
- 9.2.2 All athletes must complete the 'Athlete Epilepsy Declaration ~~Form~~Form' (Appendix ~~109~~) which must be uploaded to the athlete's SDMS profile ~~by 01 February each year, before they are eligible to have a WSPS License for the Competition season.~~
- 9.2.3 The 'Athlete Epilepsy Declaration ~~Form~~Form' confirms if the athlete has epilepsy, and if so, that the epilepsy is stable, and identifies what type of epilepsy the athlete suffers from.
- 9.2.4 If an athlete declares that he/she has been medically diagnosed with epilepsy and ~~have~~has had an epileptic episode in the ~~preceding 12-~~month period, the athlete's participation in ~~World Shooting Para Sport events~~WSPS Recognised Competitions shall be subject to approval by ~~the IPC Medical Committee~~WSPS.
- 9.2.5 If at any time an athlete suffers any form of epileptic fit/seizure or epilepsy-related episode, an updated 'Athlete Epilepsy Declaration ~~Form~~Form' must immediately be submitted to ~~World Shooting Para Sport~~WSPS.

9.3 Pacemakers

- 9.3.1 The use of pacemakers by athletes in ~~World Shooting Para Sport~~WSPS Recognised Competitions is subject to approval by ~~the IPC Medical Committee.~~WSPS.
- 9.3.2 Any athlete that uses a pacemaker ~~therefore~~ is required to submit a medical file to ~~the~~ IPC ~~Medical~~ CommitteeWSPS (~~medical@paralympic.org~~info@worldshootingparasport.org), detailing the pathology and technical details of the device implemented.
- 9.3.3 The ~~IPC Medical Committee~~WSPS shall determine whether the device is approved, and this decision is final. The athlete will only be entitled to use this approved device, and any change must be notified to ~~World Shooting Para Sport~~WSPS immediately.
- ~~9.3.4~~ Failure to notify ~~World Shooting Para Sport~~WSPS of the use of a pacemaker results in automatic disqualification of the athlete and any results obtained in ~~competition~~Competition where a pacemaker was used.