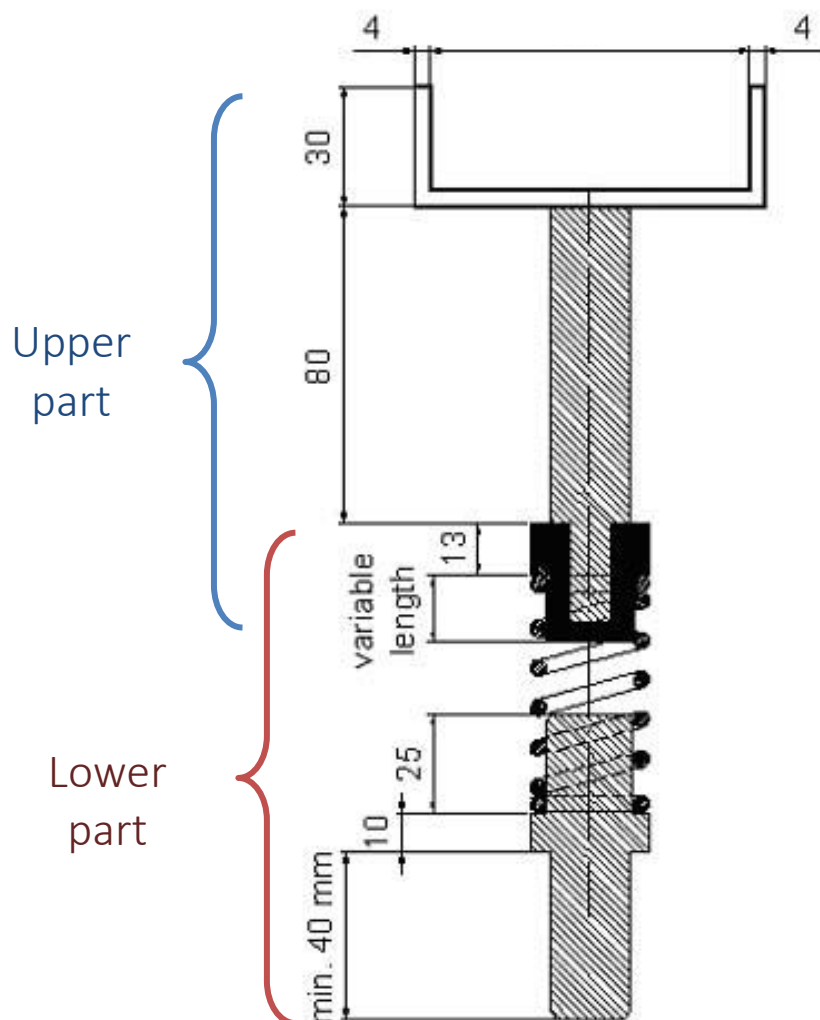


APPENDIX 7

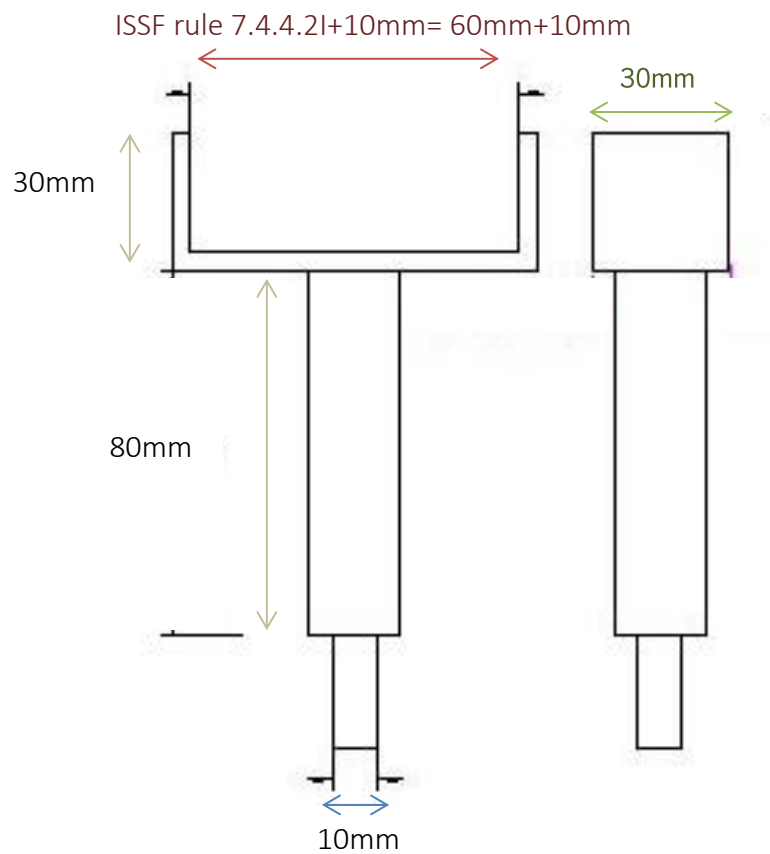
SH2 Support Stand Parts Drawings

Updated July 2015

1 Overview



2 Upper part support (U form Shaft)

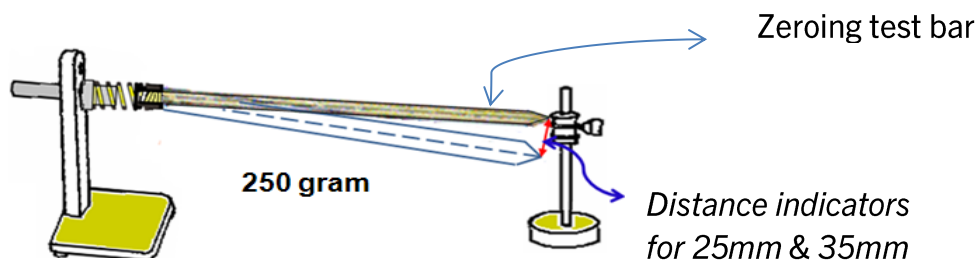


Max. weight: 200 grams

3 Support stand measuring procedure

3.1 Zero point

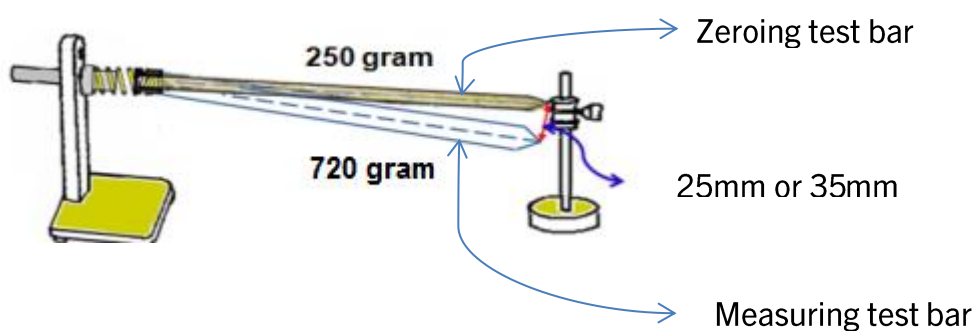
250 gram measuring bar is used to determine the zero point.



3.2 Spring flexibility

720 gram measuring bar is used to indicate spring flexibility:

- Weak (a) spring: minimum 35mm flexibility
- Strong (b) spring: minimum 25mm flexibility



[Diagrams on this page are as updated July 2015]